

CYLINDRIX MULTIPLE RECESSED 2 LIGHT

CYLR-2
2LT MR16

APPLICATION:

Accent and display lighting for Retail, Commercial and Hospitality environments

CONSTRUCTION:

Stamped steel mounting frame with integral mounting bars
Thermally protected
Steel ballast housing
Electronic ballast outboard mounted
Steel upper housing and laser cut trim ring
Die-cast lamp housing
Formed aluminum yoke
GU5.3 Bipin socket
Powder coat paint

OPTICS:

0-30° x 45° tilt, 360°+ rotation
MR16 12v Bipin base, 37w max
Solite beam softening lens

MOUNTING:

For use in T-grid or sheet rock ceilings

LABELING:

cUL listed
Damp location

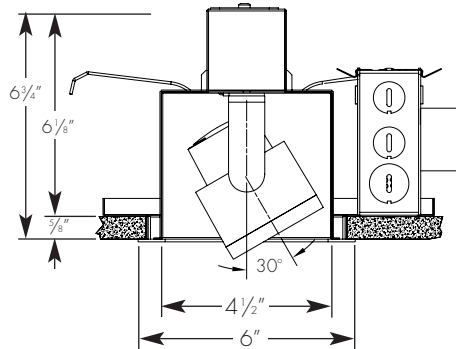
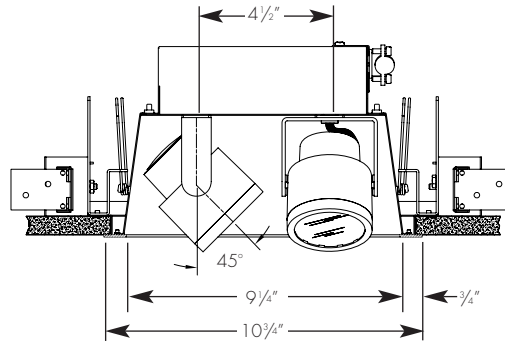
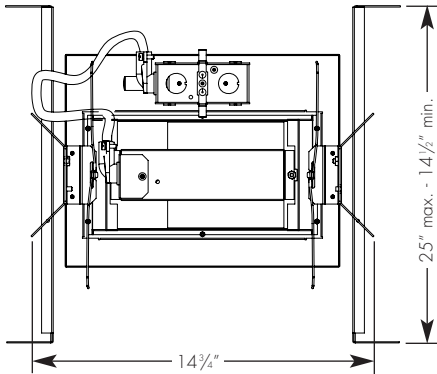


PROJECT:

TYPE:

ecotECTURAL

Architectural lighting for sustainable design.



Ceiling Cut Out Dimension: 5 1/16" x 10 1/16"

ELECTRICAL

Ballast	Input volts	Lamping 2-37w	
		Input watts	Amps*
Electronic	120v	74	.62
	277V	74	.26

2 MR16, GU5.3 bipin base, 37w max

Amerlux reserves the right to change details that do not affect overall function and performance.

ORDERING INFORMATION:

Model	# Lamps	Wattage	Lamp Type	Ballast	Housing/ Head Finish	Voltage	Trim Ring Finish	Options/ Accessories
CYLR	2	37	MR16	E - electronic	WT - white texture BT - black texture ST - silver texture - (other RAL)	120 277	WT - white texture	HEX - hexcell louver

Example: CYLR-2-37-MR16-E-WT-120-WT

Cat #: