

# CYLINDRIX MULTIPLE SEMI-RECESSED 1 LIGHT

CYLSR-1  
1LT MR16

## APPLICATION:

Accent and display lighting for Retail, Commercial and Hospitality environments

## CONSTRUCTION:

Stamped steel mounting frame with integral mounting bars  
Thermally protected  
Steel ballast housing  
Electronic ballast  
Steel upper housing and laser cut trim ring  
Die-cast lamp housing  
Formed aluminum yoke  
GU5.3 Bipin socket  
Powder coat paint

## OPTICS:

0-50° tilt, 360°+ rotation  
MR16 12v Bipin base, 37w max  
Solite beam softening lens

## MOUNTING:

For use in T-grid or sheet rock ceilings

## LABELING:

cUL listed  
Damp location

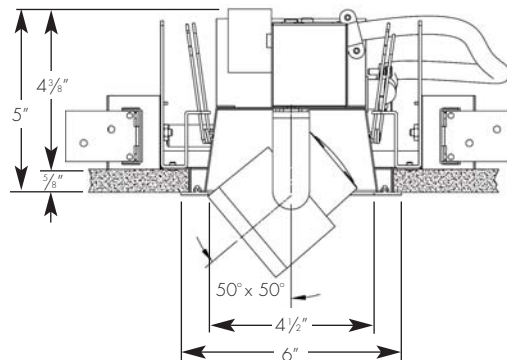
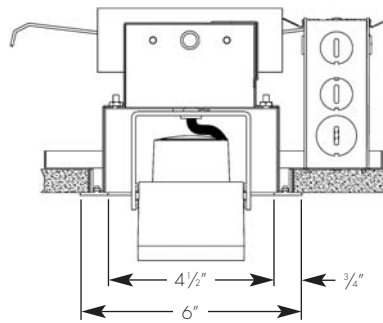
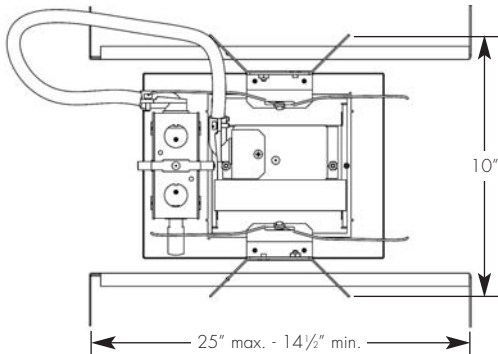


PROJECT:

TYPE:

**ecotECTURAL**

Architectural lighting for sustainable design.



Ceiling Cut Out Dimension: 5 1/16" x 5 1/16"

## ELECTRICAL

Ballast	Input volts	Lamping 1-37w	
		Input watts	Amps*
Electronic	120v	37	.31
	277V	37	.13

1 MR16, GU5.3 bi-pin base, 37w max

Amerlux reserves the right to change details that do not affect overall function and performance.

## ORDERING INFORMATION:

Model	# Lamps	Wattage	Lamp Type	Ballast	Housing/ Head Finish	Voltage	Trim Ring Finish	Options/ Accessories
CYLSR	1	37	MR16	E - electronic	WT - white texture BT - black texture ST - silver texture _____ (other RAL)	120 277	WT - white texture	HEX - hexcell louver

Example: CYLSR-1-37-MR16-E-WT-120-WT

Cat #: