

CYLINDRIX VERTICAL

TRACK WALL WASHER

CYLTV-WW
T4GU6.5

APPLICATION

Retail and commercial wall wash applications

CONSTRUCTION:

Die-cast lens holder, lamp and ballast housing
GU6.5 TAL pulse rated socket
Integral single pole on/off switch for single circuit & busway adapters (no switch available on canopy mount)
No exposed wiring
Powder coat paint

OPTICS:

0-90° tilt, 360° rotation
Amerlux optics specifically designed for the CMH T4GU6.5 lamp
Textured specular kick reflector
Etched linear spread lens
Available in custom tints to tune beam to provide incandescent-like hue

MOUNTING:

Track, busway and canopy

LABELING:



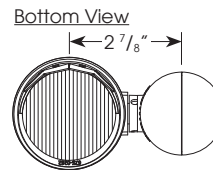
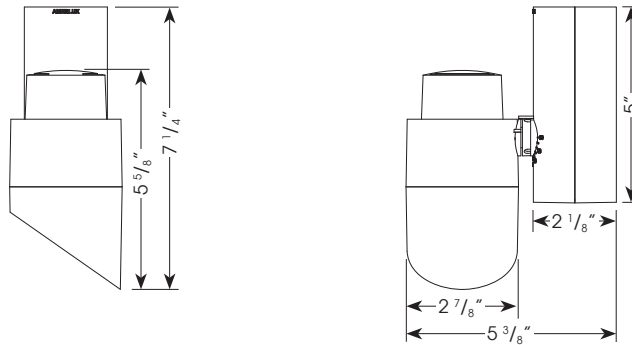
LAMPING:

CMH T4GU6.5 base, 15w (SYLVANIA METALARC® POWERBALL®), 20w and 39w



PROJECT:

TYPE:



ELECTRICAL

Ballast	15w		Lamping 20w		39w	
	Input Watts	Amps*	Input Watts	Amps*	Input Watts	Amps*
Electronic 120v	18	.15	24	.20	45	.40
277v	18	.07	24	.10	45	.20

*data is for open circuit current
CMH T4GU6.5 base metal halide, 15w, 20w and 39

ORDERING INFORMATION:

Model	Wattage	Lamp Type	Ballast	Finish	Mounting	Voltage	Beam Spread	Options/Accessories
CYLTV-WW	15 20 39	T4GU6.5	E - electronic	WT - white texture BT - black texture ST - silver texture NA - natural aluminum (brushed, clear coat) — (other RAL)	TN1 - Global 1cir, 120v TEK - Global 2cir/2neut, 120v TN3 - Global 3cir, 120v TN2 - Global 2cir/2neut, 277v B - busway C - canopy — (other)	120 277	WW - wall wash	GOLD - ferric gold optic reflector DB2690 - DB2690 optic reflector

Example: CYLTV-WW-20-T4GU6.5-E-WT-TN1-120-WW

Cat #:

Amerlux reserves the right to change details that do not affect overall function and performance.

CYLINDRIX VERTICAL

TRACK WALL WASHER

CYLTV-WW
T4GU6.5

amerlux
GLOBAL LIGHTING SOLUTIONS

TYPE:



FIXTURE DATA: Test run with standard clear reflector. For gold multiply by 0.9
For 15w data multiply by .75; For 39w data multiply by 2.1

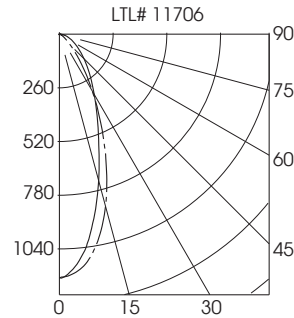
Complete photometric data (ies format) available upon request.

CYLINDRIX T4GU6.5 WALL WASH 20W
Lamp: GE CMH20T/U830GU6.5 Lamp Lumens: 1615
Track Mounting

ZONAL LUMEN SUMMARY

Zone	Lumens	%Lamp	%Fixt
0-30	483	29.9	66.3
0-40	592	36.7	81.2
0-60	690	42.7	94.6
0-90	727	45.0	99.7
90-180	2	0.1	0.3
0-180	729	45.1	100.0

Total Luminaire Efficiency = 45.1%



APPLICATION DATA:

Footcandles are average and rounded off.
Data for multiple units are based on a minimum of five units.

Footcandles on Wall

2' →

0° tilt

Distance from ceiling	1'	16.8	17.0	16.8
2'	22.7	23.0	22.7	
3'	21.3	21.9	21.4	
4'	18.3	18.9	18.3	
5'	15.2	15.9	15.2	
6'	12.4	13.2	13.0	
7'	10.2	10.9	10.2	
8'	8.3	8.9	8.3	
9'	6.8	9.8	9.3	

2' →

10° tilt

Distance from ceiling	1'	26.9	27.2	26.9
2'	34.2	34.6	34.2	
3'	33.0	33.6	33.0	
4'	29.1	29.9	29.1	
5'	23.9	24.8	23.9	
6'	18.9	19.8	18.9	
7'	14.7	15.6	14.7	
8'	11.4	12.2	11.4	
9'	8.9	9.6	8.9	

2' →

15° tilt

Distance from ceiling	1'	33.6	33.8	33.6
2'	42.0	42.5	42.0	
3'	41.6	42.2	41.6	
4'	36.0	36.8	36.0	
5'	27.9	28.9	27.9	
6'	20.8	21.8	20.8	
7'	15.5	16.4	15.5	
8'	11.5	12.3	11.5	
9'	8.7	9.4	8.7	

3' →

15° tilt

Distance from ceiling	1'	12.0	12.0	11.9
2'	17.2	17.2	17.0	
3'	18.9	18.9	18.7	
4'	19.1	19.1	18.8	
5'	18.3	18.3	17.9	
6'	16.4	16.4	16.0	
7'	14.1	14.1	13.7	
8'	11.8	11.8	11.3	
9'	9.8	9.8	9.3	

3' →

30° tilt

Distance from ceiling	1'	23.2	23.2	23.1
2'	32.1	32.1	31.9	
3'	37.4	37.4	37.1	
4'	34.7	34.7	34.4	
5'	27.0	27.0	26.7	
6'	19.2	19.2	18.8	
7'	13.2	13.2	12.8	
8'	9.1	9.1	8.7	
9'	6.3	6.3	6.0	