

CYLINDRIX VERTICAL

TRACK WALL WASHER

APPLICATION:

Retail and commercial wall wash applications

CONSTRUCTION:

Die-cast lens holder, lamp and ballast housing
 Medium base pulse rated socket
 Integral single pole on/off switch for single circuit
 and busway adapters (no switch available on
 canopy mount)
 No exposed wiring
 Powder coat paint

OPTICS:

0-90° tilt, 360° rotation
 PAR20 metal halide, 20w and 39w
 Textured specular kick reflector
 Etched linear spread lens

MOUNTING:

Track, busway and canopy

LABELING:

cUL listed

CYLTV-WW
 PAR20MH

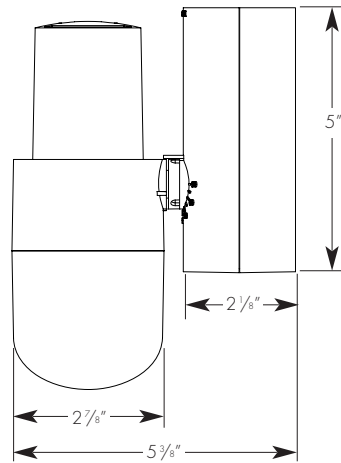
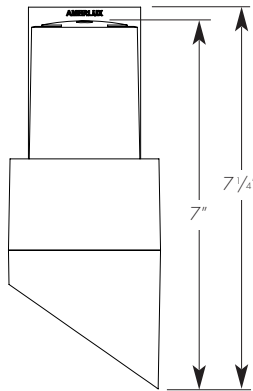


PROJECT:

TYPE:

ecotECTURAL

Architectural lighting for sustainable design.



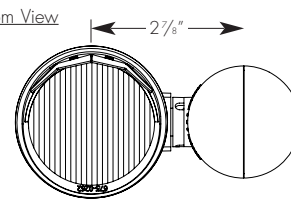
ELECTRICAL

Ballast		Lamping			
		20w		39w	
		Input watts	Amps*	Input watts	Amps*
Electronic	120v	24	0.2	46	.37
	277v	24	0.1	46	.19

*Data is for open circuit current
 PAR20MH medium base, 20w and 39w

Amerlux reserves the right to change details that do not affect overall function and performance.

Bottom View



ORDERING INFORMATION:

Model	Wattage	Lamp Type	Ballast	Finish	Mounting	Voltage	Beam Spreads
CYLTV-WW	20 39	PAR20MH	E - electronic	WT - white texture BT - black texture ST - silver texture - (other RAL)	TN1 - Global 1cir 120v TEK - Global 2cir/2neut 120v TN3 - Global 3cir 120v TN2 - Global 2cir/2neut 277v* B - busway C - canopy - (other)	120 277*	WW - wall wash

Example: CYLTV-WW-39-PAR20MH-E-WT-TN1-120-WW

Cat #:

*Consult factory



CYLINDRIX VERTICAL

TRACK WALL WASHER

CYLTV-WW
PAR20MH



TYPE :

ecotECTURAL
Architectural lighting for sustainable design.



FIXTURE DATA:

Complete photometric data (.ies format) available upon request.

CYLINDRIX PAR20MH WALL WASH 39W

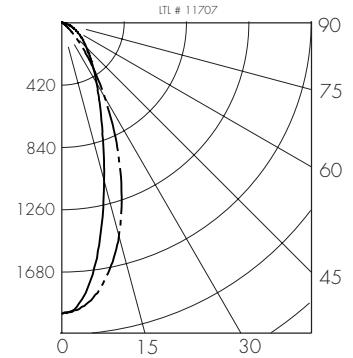
Lamp: Philips CDM35/PAR20/M/SP Lamp Lumens: 2000

Track Mounting

ZONAL LUMEN SUMMARY

Zone	Lumens	%Lamp	%Fixt
0-30	763	38.1	68.4
0-40	926	46.3	83.1
0-60	1066	53.3	95.5
0-90	1115	55.8	100.0
90-180	0	0.0	0
0-180	1115	55.8	100.0

Total Luminaire Efficiency = 55.8%



APPLICATION DATA:

Footcandles are average and rounded off.

Data for multiple units are based on a minimum of five units.

Footcandles on Wall

