

CYLINDRIX TRACK WALL WASHER

CYLT-WW
MR16

APPLICATION:

Retail and commercial wall wash applications

MOUNTING:

Track or busway

CONSTRUCTION:

Die-cast lamp and ballast housing
Formed aluminum yoke
Electronic ballast
GU5.3 bi-pin socket
Integral single pole on/off switch
Powder coat paint

LABELING:

cUL listed



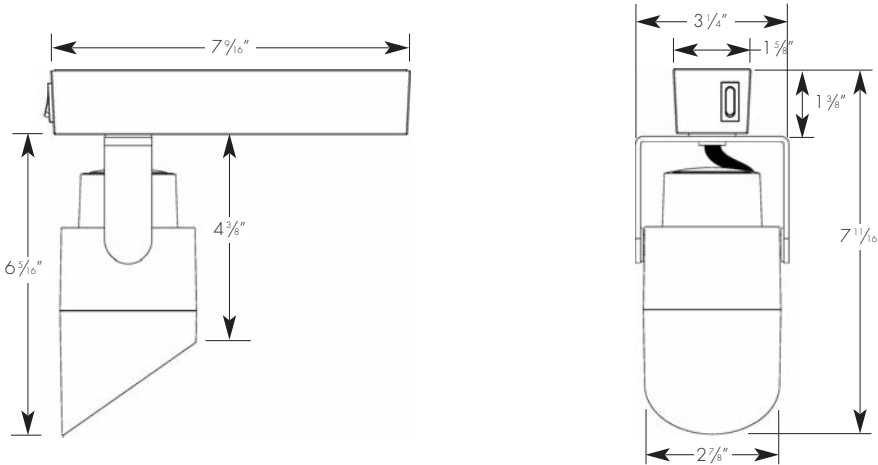
PROJECT:

TYPE:

OPTICS:

0-90° tilt, 360° rotation
MR16 bi-pin GU5.3, 50w max
Textured specular kick reflector
Etched linear spread lens

ECOTEKTURAL
Architectural lighting for sustainable design.



ELECTRICAL

		Lamping	
		50w	
Ballast		Input watts	Amps*
Electronic	120v	50	.42

*Data is for open circuit current
MR16, GU5.3 bi-pin base, 50w max

Amerlux reserves the right to change details that do not affect overall function and performance.



ORDERING INFORMATION:

Model	Wattage	Lamp Type	Ballast	Finish	Mounting	Voltage	Beam Spreads
CYLT-WW	50	MR16	E - electronic	WT - white texture BT - black texture ST - silver texture - (other RAL)	TS1 - 1 circuit, Halo compatible TL1 - 1 circuit, Lightolier compatible TJ1 - 1 circuit, Juno compatible B - busway	120	WW - wall wash

Example: CYLT-WW-50-MR16-E-WT-TS1-120-WW

Cat #: