

CYLINDRIX VERTICAL

TRACK WALL WASHER

APPLICATION:

Retail and commercial wall wash applications

CONSTRUCTION:

Die-cast lens holder, lamp and ballast housing
 GU5.3 bi-pin socket
 Integral single pole on/off switch for single circuit
 and busway adapters (no switch available on
 canopy mount)
 No exposed wiring
 Powder coat paint

OPTICS:

0-90° tilt, 360° rotation
 MR16 bi-pin GU5.3, 50w max
 Textured specular kick reflector
 Etched linear spread lens

MOUNTING:

Track, busway and canopy

LABELING:

cUL listed

CYLTV-WW
 MR16

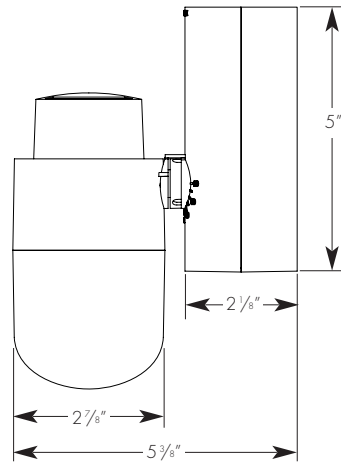
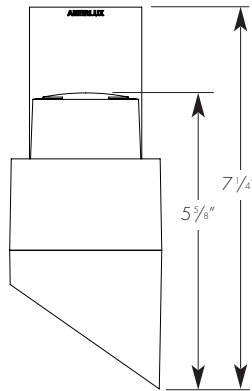


PROJECT:

TYPE:

ecotECTURAL

Architectural lighting for sustainable design.



ELECTRICAL

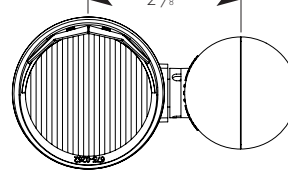
Ballast		Lamping 50w	
		Input watts	Amps
Electronic	120v	50	.42
	277v	50	.18

MR16 Bi-Pin base, 50w max.

Electronic ballast

Amerlux reserves the right to change details that do not affect overall function and performance.

Bottom View



ORDERING INFORMATION:

Model	Wattage	Lamp Type	Ballast	Finish	Mounting	Voltage	Beam Spreads
CYLTV-WW	50	MR16	E - electronic	WT - white texture BT - black texture ST - silver texture - (other RAL)	TN1 - Global 1cir 120v TEK - Global 2cir/2neut 120v TN3 - Global 3cir 120v TN2 - Global 2cir/2neut 277v B - busway C - canopy - (other)	120 277	WW - wall wash

Example: CYLTV-WW-50-MR16-E-WT-TN1-120-WW

Cat #: