

EVOKE 2.9" INSULATED CEILING ROUND DOWNLIGHT SHALLOW

E2.9RICAT /
E2.9RDS
MR16

APPLICATION:

Residential accent and general lighting

HOUSING CONSTRUCTION:

0.050 aluminum and 20 ga. steel housing
Powder coat matte black
Formed aperture plate with 1/2" lip
Adjustable mounting bars for (wood) joist construction
Thermally protected
GX5.3 Bi-Pin base

OPTICS:

Spun aluminum lamp ring, snaps in/out for re-lamping
Silk screened fixture positions provide exact setting for downlight, adjustable or wall wash reflector trims
Solite lens (standard)

REFLECTOR CONSTRUCTION:

Spun aluminum self flanged reflector
Variety of anodized aperture finishes in both white and clear flange

MOUNTING:

For use in sheet rock ceilings
Max. ceiling thickness - 1"

LABELING:

cUL listed
Damp location
No through branch wiring for IC at 50w
Complies with Air Leakage requirements as stated in the Model Energy Code and Washington State Energy Code

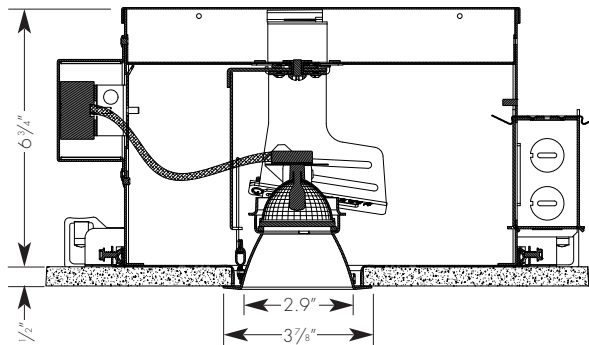
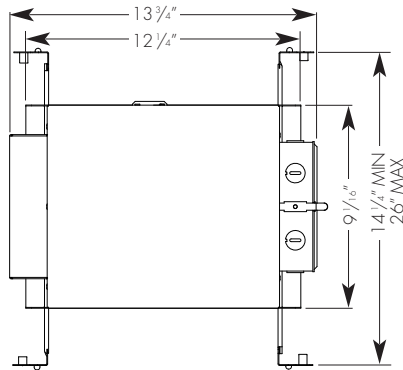
LAMPING:

MR16 halogen, 50w max., 12v.



PROJECT:

TYPE:



Ceiling cut out dimension: 3 7/8" dia.

ELECTRICAL

Transformer	Lamping 50w	
	Input watts	Amps
Electronic 120v	50	.42

MR16 Bi-Pin base, 50w max.

Electronic transformer compatible w/dimming systems that control electronic transformers

Amerlux reserves the right to change details that do not affect overall function and performance.

ECOTECHURAL
Architectural lighting for sustainable design.



ORDERING INFORMATION:

HOUSING			REFLECTOR		ACCESSORIES
Model #	Lamp Type	Voltage	Model #	Aperture Finish	Ordered Separately
E2.9RICAT	MR16 (50w max)	120	E2.9RDS	<u>Reflector with White Painted Flange</u> SDW - semi-diffused clear CLW - specular clear GDW - specular gold BKW - specular black MWWW - matte white <u>Reflector with Clear Flange</u> (flange finish matches cone finish) SDC - semi-diffused clear CLC - specular clear GDC - specular gold BKC - specular black	HEX16 - hexcell louver SPR16 - linear spread lens (5"x55")

Complete Unit Specification: E2.9RICAT-MR16-120/E2.9RDS-SDW
Housing Only: E2.9RICAT-MR16-120
Reflector Only: E2.9RDS-SDW

Cat #:

EVOKE 2.9" INSULATED CEILING ROUND DOWNLIGHT SHALLOW

E2.9RICAT/
E2.9RDS
MR16



TYPE:

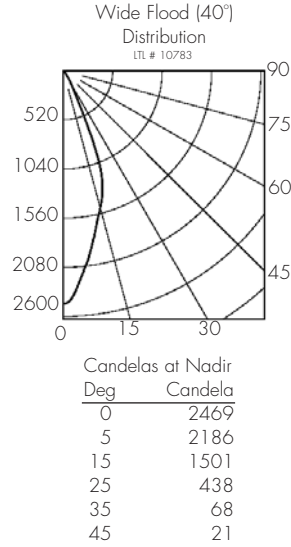
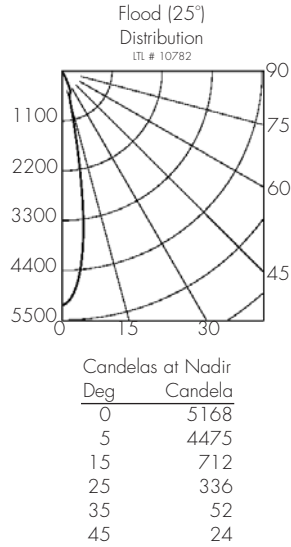
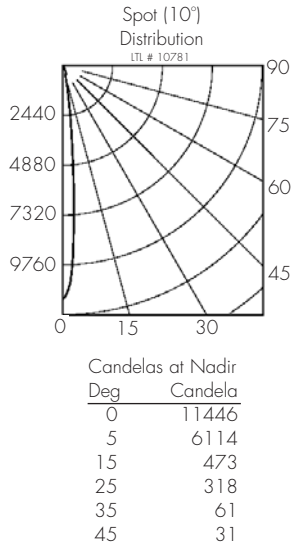
ecotECTURAL
Architectural lighting for sustainable design.



FIXTURE DATA:

Complete photometric data (.ies format) available upon request.

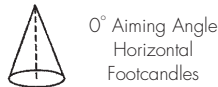
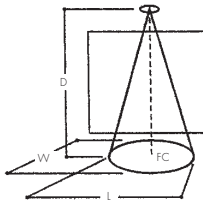
50W MR16



APPLICATION DATA:

Notes and Definitions:

Beam spread is to 50% center beam candlepower (CBCP).
 D=Distance to floor or wall.
 FC=Footcandles on floor or wall at center beam aiming location.
 L=Effective Visual Beam length in feet (50% of maximum footcandle level).
 W=Effective Visual Beam width in feet (50% of maximum footcandle level).
 CB=Distance across or down to center beam location.



	D	FC	L	W
SPOT	5.0'	458	1.1	1.1
	7.5'	204	1.4	1.4
	10.0'	115	1.8	1.8
	12.5'	73	2.4	2.4
FLOOD	5.0'	207	1.5	1.5
	7.5'	92	2.6	2.6
	10.0'	52	3.3	3.3
	12.5'	33	4.1	4.1
WIDE FLOOD	5.0'	99	2.9	2.9
	7.5'	44	4.4	4.4
	10.0'	25	6.0	6.0
	12.5'	16	7.5	7.5