

EVOKE 2.9" INSULATED CEILING

ROUND PINHOLE ADJUSTABLE

E2.9RICAT/
E2.9RPA
MR16

APPLICATION:

Residential accent and general lighting

HOUSING CONSTRUCTION:

0.050 aluminum and 20 ga. steel housing
Powder coat matte black
Formed aperture plate with 1/2" lip
Adjustable mounting bars for (wood) joist construction
Thermally protected
GX5.3 Bi-Pin base

OPTICS:

Cam adjustment mechanism provides lockable 0-35° tilt; 360°+ rotation
Spun aluminum lamp holder with spring steel retaining clip, snaps in/out for easy relamping
Accepts up to 2 accessories
Silk screened fixture positions provide exact setting for downlight, adjustable or wall wash reflector trims
Solite lens (standard)

REFLECTOR CONSTRUCTION:

Die-cast aluminum faceplate painted matte white
Die-cast knife edge baffle painted matte black
Spring steel mounting clips

MOUNTING:

For use in sheet rock ceilings
Max. ceiling thickness - 1"

LABELING:

cUL listed
Damp location
No through branch wiring for IC at 50w
Complies with Air Leakage requirements as stated in the Model Energy Code and Washington State Energy Code

LAMPING:

MR16 halogen, 50w max., 12v.

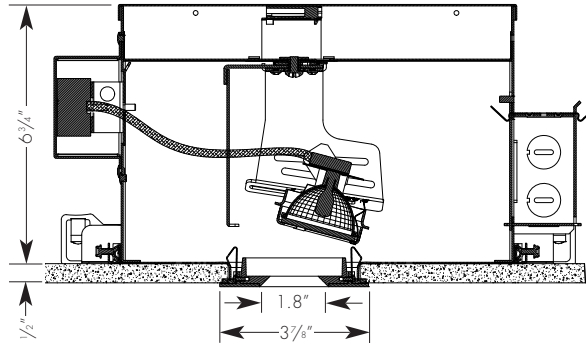
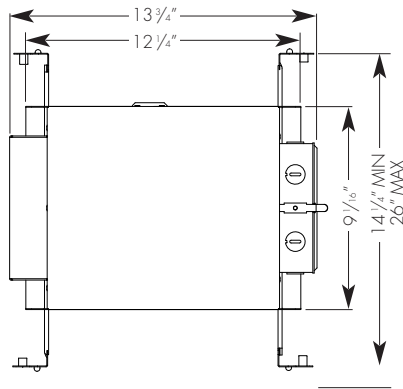


PROJECT:

TYPE:

ECOTECTURAL

Architectural lighting for sustainable design.



Ceiling cut out dimension: 3 7/8" dia.

ELECTRICAL

Transformer	Lamping	
	Input watts	Amps
Electronic 120v	50	.42

MR16 Bi-Pin base, 50w max.

Electronic transformer compatible w/dimming systems that control electronic transformers

Amerlux reserves the right to change details that do not affect overall function and performance.



ORDERING INFORMATION:

HOUSING			REFLECTOR		ACCESSORIES
Model #	Lamp Type	Voltage	Model #	Aperture Finish	Ordered Separately
E2.9RICAT	MR16 (50w max)	120	E2.9RPA	Faceplate with black baffle MW - matte white	HEX16 - hexcell louver SPR16 - linear spread lens (5"x55")

Complete Unit Specification: E2.9RICAT-MR16-120/E2.9RPA-MW

Housing Only: E2.9RICAT-MR16-120

Reflector Only: E2.9RPA-MW

Cat #: