

EVOKE 2.9" INSULATED CEILING

ROUND ADJUSTABLE WET LOCATION

E2.9RICAT/
E2.9RASHW
MR16

APPLICATION:

Residential accent and general lighting

HOUSING CONSTRUCTION:

0.050 aluminum and 20 ga. steel housing
Powder coat matte black
Formed aperture plate with 1/2" lip
Adjustable mounting bars for (wood) joist construction
Thermally protected
GX5.3 Bi-Pin base

OPTICS:

Cam adjustment mechanism provides lockable 0-40° tilt; 360°+ rotation
Spun aluminum lamp ring, snaps in/out for re-lamping, accepts up to 2 accessories
Silk screened fixture positions provide exact setting for downlight, adjustable or wall wash reflector trims

REFLECTOR CONSTRUCTION:

Spun aluminum self flanged reflector with key slot cut
Variety of anodized aperture finishes in both white and clear flange
Steel mounting ring with torsion spring
Clear glass lens, silicone trim gasket

MOUNTING:

For use in T-grid or sheet rock ceilings
Max. ceiling thickness - 1"

LABELING:

cUL listed
Wet location (with reflector trim)
No through branch wiring for IC at 50w
Complies with Air Leakage requirements as stated in the Model Energy Code and Washington State Energy Code

LAMPING:

MR16 halogen, 50w max., 12v.

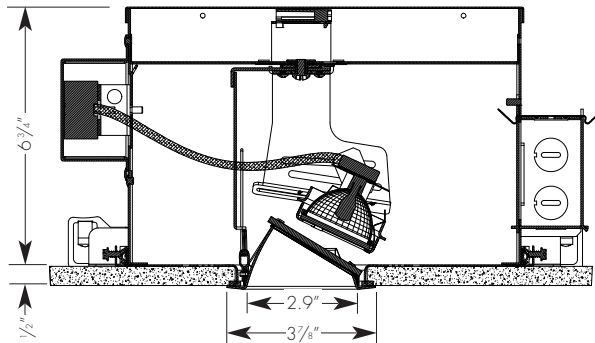
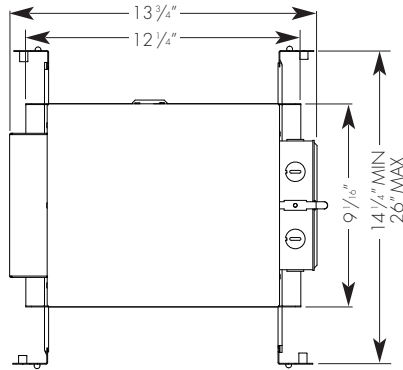


PROJECT:

TYPE:

ECOTEKTURAL

Architectural lighting for sustainable design.



Ceiling cut out dimension: 3 7/16" dia.

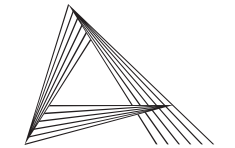
ELECTRICAL

Transformer	Lamping	
	Input watts	Amps
Electronic 120v	50	.42

MR16 Bi-Pin base, 50w max.

Electronic transformer compatible w/dimming systems that control electronic transformers

Amerlux reserves the right to change details that do not affect overall function and performance.



AMERLUX
LIGHTING SOLUTIONS

ADAPT. ABILITY.™

ORDERING INFORMATION:

HOUSING			REFLECTOR		ACCESSORIES
Model #	Lamp Type	Voltage	Model #	Aperture Finish	Ordered Separately
E2.9RICAT	MR16 (50w max)	120	E2.9RASWH	<u>Reflector with White Painted Flange</u> SDW - semi-diffused clear CLW - specular clear GDW - specular gold BKW - specular black MWWW - matte white <u>Reflector with Clear Flange</u> (flange finish matches cone finish) SDC - semi-diffused clear CLC - specular clear GDC - specular gold BKC - specular black	HEX16 - hexcell louver SPR16 - linear spread lens (5"x55")

Complete Unit Specification: E2.9RICAT-MR16-120/E2.9RASHW-SDW

Housing Only: E2.9RICAT-MR16-120

Reflector Only: E2.9RASHW-SDW

Cat #:

EVOKE

2.9" ROUND ADJUSTABLE INSULATED CEILING

E2.9RICAT/
E2.9RASHW
MR16



TYPE :

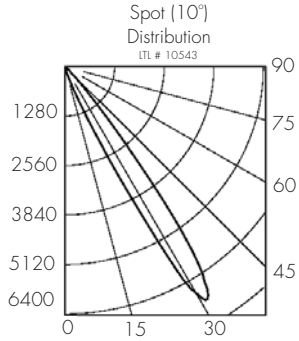
ecotECTURAL
Architectural lighting for sustainable design.



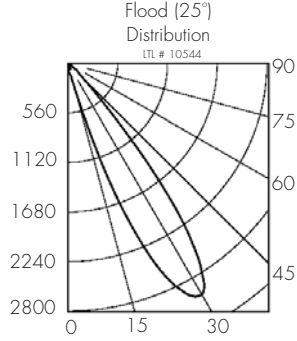
FIXTURE DATA:

Complete photometric data (.ies format) available upon request.

50W MR16



Candelas at Nadir	
Deg	Candela
0	60
5	82
15	153
25	2322
30	6759
35	5428
45	242

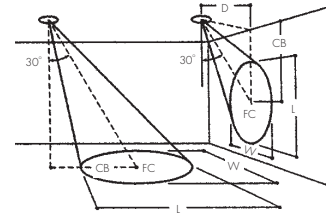


Candelas at Nadir	
Deg	Candela
0	26
5	81
15	295
25	2709
30	3015
35	2392
45	254

APPLICATION DATA:

Notes and Definitions:

Beam spread is to 50% center beam candlepower (CBCP).
 D=Distance to floor or wall.
 FC=Footcandles on floor or wall at center beam aiming location.
 L=Effective Visual Beam length in feet (50% of maximum footcandle level).
 W=Effective Visual Beam width in feet (50% of maximum footcandle level).
 CB=Distance across or down to center beam location.



30° Aiming Angle
Horizontal
Footcandles



30° Aiming Angle
Vertical
Footcandles

	30° Aiming Angle Horizontal Footcandles					30° Aiming Angle Vertical Footcandles				
	D	FC	L	W	CB	D	FC	L	W	CB
SPOT (10°)	5.0'	178	1.2	1.3	3.0	3.0'	107	2.2	1.3	5.0
	7.5'	64	2.3	2.0	5.0	4.0'	67	2.5	1.6	6.0
	10.0'	44	2.6	2.5	6.0	5.0'	42	3.3	2.1	8.0
	12.5'	27	3.2	3.1	7.0	6.0'	30	3.8	2.4	9.0
FLOOD (25°)	5.0'	75	2.2	1.5	3.0	3.0'	47	3.0	1.5	4.0
	7.5'	36	3.0	2.2	4.0	4.0'	28	3.8	1.8	6.0
	10.0'	21	4.0	2.8	5.0	5.0'	18	4.8	2.4	7.0
	12.5'	13	5.1	3.6	6.0	6.0'	13	5.6	2.8	9.0