

# EVOKE 2.9" INSULATED CEILING SQUARE DOWNLIGHT

E2.9SICAT/  
E2.9SD  
MR16

## APPLICATION:

Residential accent and general lighting

## HOUSING CONSTRUCTION:

0.050 aluminum and 20 ga. steel housing  
Powder coat matte black  
Formed aperture plate with 1/2" lip  
Adjustable mounting bars for (wood) joist construction  
Thermally protected  
GX5.3 Bi-Pin base

## REFLECTOR CONSTRUCTION:

Die-cast aluminum seamless self-flanged trim  
Painted finishes include matte white and optical matte black with matte white flange  
Spring steel mounting clips

## MOUNTING:

For use in sheet rock ceilings  
Max. ceiling thickness - 1"

## LABELING:

cUL listed  
Damp location  
No through branch wiring for IC at 50w  
Complies with Air Leakage requirements as stated in the Model Energy Code and Washington State Energy Code

## OPTICS:

Spun aluminum lamp ring, snaps in/out for relamping, accepts up to two accessories  
Silk screened fixture positions provide exact setting for downlight, adjustable or wall wash reflector trims  
Solite lens (standard)

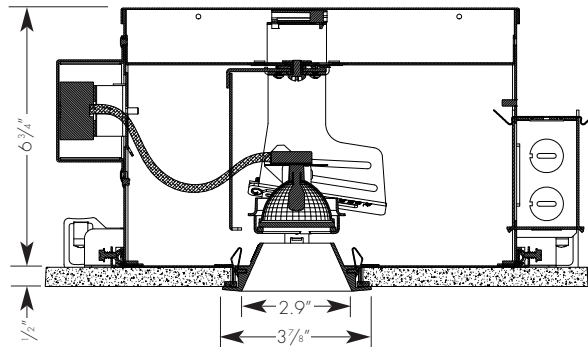
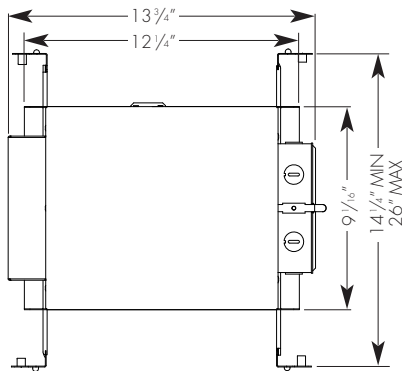
## LAMPING:

MR16 halogen, 50w max., 12v.



PROJECT:

TYPE:



Ceiling cut out dimension: 3 7/16" sq.

**ECOTEKTURAL**  
Architectural lighting for sustainable design.

## ELECTRICAL

Transformer	Lamping 50w	
	Input volts	Amps
Electronic 120v	50	.42

MR16 Bi-Pin base, 50w max.

**Electronic transformer compatible w/dimming systems that control electronic transformers**

Amerlux reserves the right to change details that do not affect overall function and performance.



## ORDERING INFORMATION:

HOUSING			REFLECTOR		ACCESSORIES
Model #	Lamp Type	Voltage	Model #	Aperture Finish	Ordered Separately
E2.9SICAT	MR16 (50w max)	120	E2.9SD	Reflector with White Painted Flange MBW - matte black MWW - matte white	HEX16 - hexcell louver SPR16 - linear spread lens (5"x55")

Complete Unit Specification: E2.9SICAT-MR16-120/E2.9SD-MWW  
Housing Only: E2.9SICAT-MR16-120  
Reflector Only: E2.9SD-MWW

Cat #:

# EVOKE 2.9" INSULATED CEILING SQUARE DOWNLIGHT

E2.9SICAT/  
E2.9SD  
MR16



TYPE :

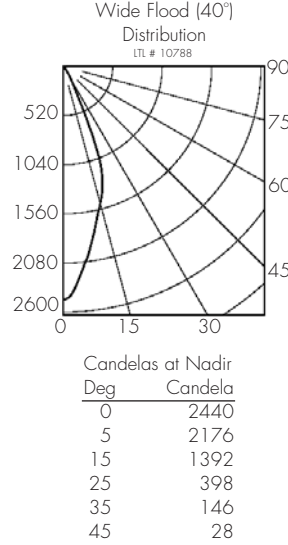
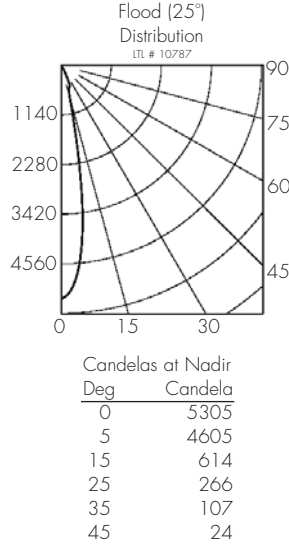
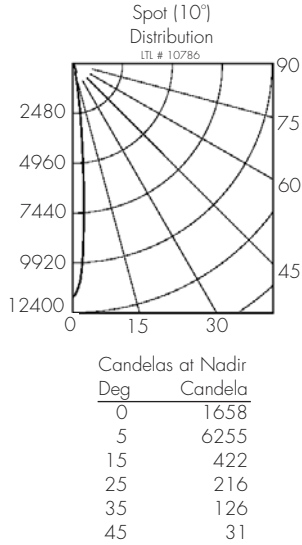
**ecotectural**  
Architectural lighting for sustainable design.



## FIXTURE DATA:

Complete photometric data (.ies format) available upon request.

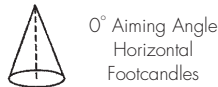
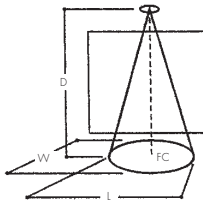
### 50W MR16



## APPLICATION DATA:

### Notes and Definitions:

Beam spread is to 50% center beam candlepower (CBCP).  
 D=Distance to floor or wall.  
 FC=Footcandles on floor or wall at center beam aiming location.  
 L=Effective Visual Beam length in feet (50% of maximum footcandle level).  
 W=Effective Visual Beam width in feet (50% of maximum footcandle level).  
 CB=Distance across or down to center beam location.



	D	FC	L	W
SPOT	5.0'	466	1.1	1.1
	7.5'	207	1.4	1.4
	10.0'	117	1.7	1.8
	12.5'	75	2.3	2.4
FLOOD	5.0'	212	1.4	1.5
	7.5'	94	2.5	2.6
	10.0'	53	3.2	3.3
	12.5'	34	4.0	4.1
WIDE FLOOD	5.0'	98	2.8	2.7
	7.5'	43	4.3	4.1
	10.0'	24	5.8	5.4
	12.5'	16	7.3	6.8