

# EVOKE 2.9" INSULATED CEILING

## SQUARE PINHOLE ADJUSTABLE

E2.9SICAT/  
E2.9SPA  
MR16

### APPLICATION:

Residential accent and general lighting

### HOUSING CONSTRUCTION:

0.050 aluminum and 20 ga. steel housing  
Powder coat matte black  
Formed aperture plate with 1/2" lip  
Adjustable mounting bars for (wood) joist construction  
Thermally protected  
GX5.3 Bi-Pin base

### OPTICS:

Cam adjustment mechanism provides lockable 0-35° tilt; 360°+ rotation  
Spun aluminum lamp holder with spring steel retaining clip, snaps in/out for easy relamping  
Accepts up to 2 accessories  
Silk screened fixture positions provide exact setting for downlight, adjustable or wall wash reflector trims  
Solite lens (standard)

### REFLECTOR CONSTRUCTION:

Die-cast aluminum faceplate painted matte white  
Die-cast knife edge baffle painted matte black  
Spring steel mounting clips

### MOUNTING:

For use in sheet rock ceilings  
Max. ceiling thickness - 1"

### LABELING:

cUL listed  
Damp location  
No through branch wiring for IC at 50w  
Complies with Air Leakage requirements as stated in the Model Energy Code and Washington State Energy Code

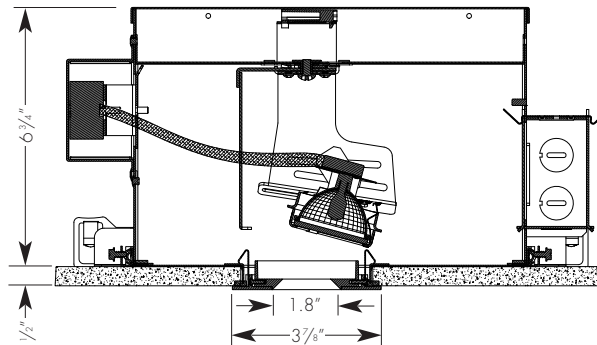
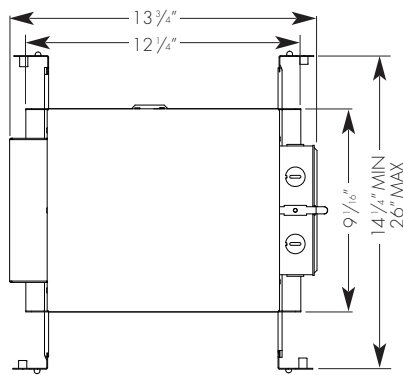
### LAMPING:

MR16 halogen, 50w max., 12v.



PROJECT:

TYPE:



Ceiling cut out dimension: 3 3/16" sq.

### ELECTRICAL

Transformer	Lamping	
	Input watts	Amps
Electronic 120v	50	.42

MR16 Bi-Pin base, 50w max.

**Electronic transformer compatible w/dimming systems that control electronic transformers**

Amerlux reserves the right to change details that do not affect overall function and performance.

**ECOTEKTURAL**  
Architectural lighting for sustainable design.



### ORDERING INFORMATION:

HOUSING Model #	Lamp Type	Voltage	REFLECTOR Model #	Aperture Finish	ACCESSORIES Ordered Separately
E2.9SICAT	MR16 (50w max)	120	E2.9SPA	Faceplate with black baffle MW - matte white	HEX16 - hexcell louver SPR16 - linear spread lens (5°x55°)

Complete Unit Specification: E2.9SICAT-MR16-120/E2.9SPA-MW  
Housing Only: E2.9SICAT-MR16-120  
Reflector Only: E2.9SPA-MW

Cat #: