

# 64LSW

## T5/T5HO LINEAR FLUORESCENT SYSTEM

# 64LSW

## 2LT T5/T5HO

### APPLICATION:

Direct or direct/indirect ambient aisle or stack lighting

### CONSTRUCTION:

One piece extruded aluminum housing  
Die-formed galvanized and cold-rolled steel internal components  
Housing lengths are 48" or 96"

### MOUNTING:

Individual or continuously row-mounted (without using tools)  
Aircraft cable suspension

### LABELING:

cUL listed

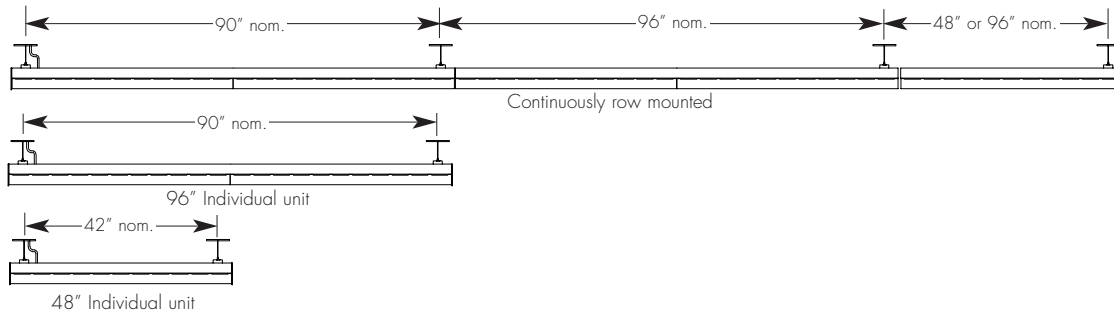
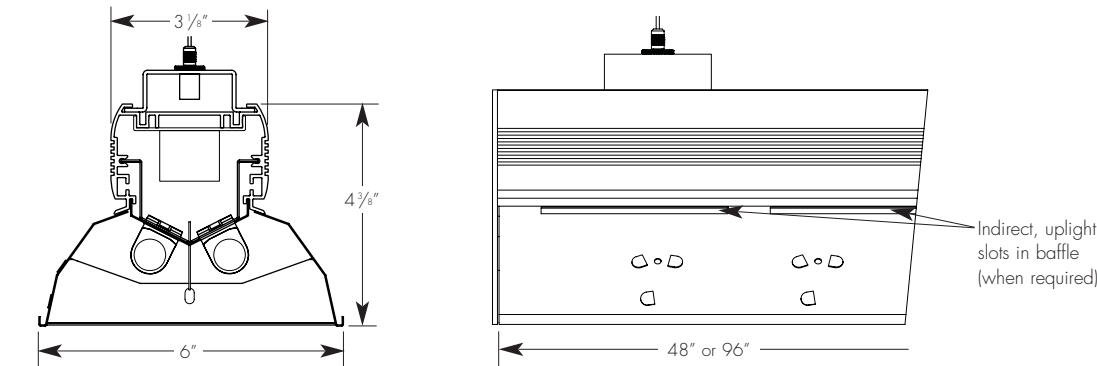
### OPTICS:

2 T5/T5HO fluorescent lamps per 4' length  
"V" shaped, specular or semi-specular blades, 1" high x 3" o.c. provide wide distribution and high vertical footcandles, ideal for aisle and stack lighting  
Optional direct or direct/indirect slotted louver



PROJECT:

TYPE:



Amerlux reserves the right to change details that do not affect overall function and performance.

### ORDERING INFORMATION:

Model #	Light Dist./ Shielding*	Mounting*	# Lamps	Wattage	Lamp Type	Finish	Length	Voltage	Configuration	Options
64LSWD (direct)	PBL (S) - parabolic specular louver	ASW10 - aircraft cable with straight white feed	2	28	T5	WT - white textured	4 8	120 277	IND - individual	DIM - dimming ballast
64LSWDI (direct/indirect)	PBL (SS) - parabolic semi-specular louver	(3-wire), 10'		54	T5HO	BT - black texture ST - silver texture - (other RAL)			BOR - beginning of run MOR - middle of run EOR - end of run	EM - emergency battery pack

Example: 64LSWD-PBL(SS)-ASW10-2-28-T5-BT-4-120-IND

Cat #:

