

64LSEW

T5/T5HO LINEAR FLUORESCENT SYSTEM

64LSEW

2LT T5/T5HO

APPLICATION:

Direct or direct/indirect ambient aisle or stack lighting

CONSTRUCTION:

One piece extruded aluminum housing
Die-formed galvanized and cold-rolled steel internal components

MOUNTING:

Individual or continuously row-mounted (without using tools)
Aircraft cable suspension

LABELING:

cUL listed

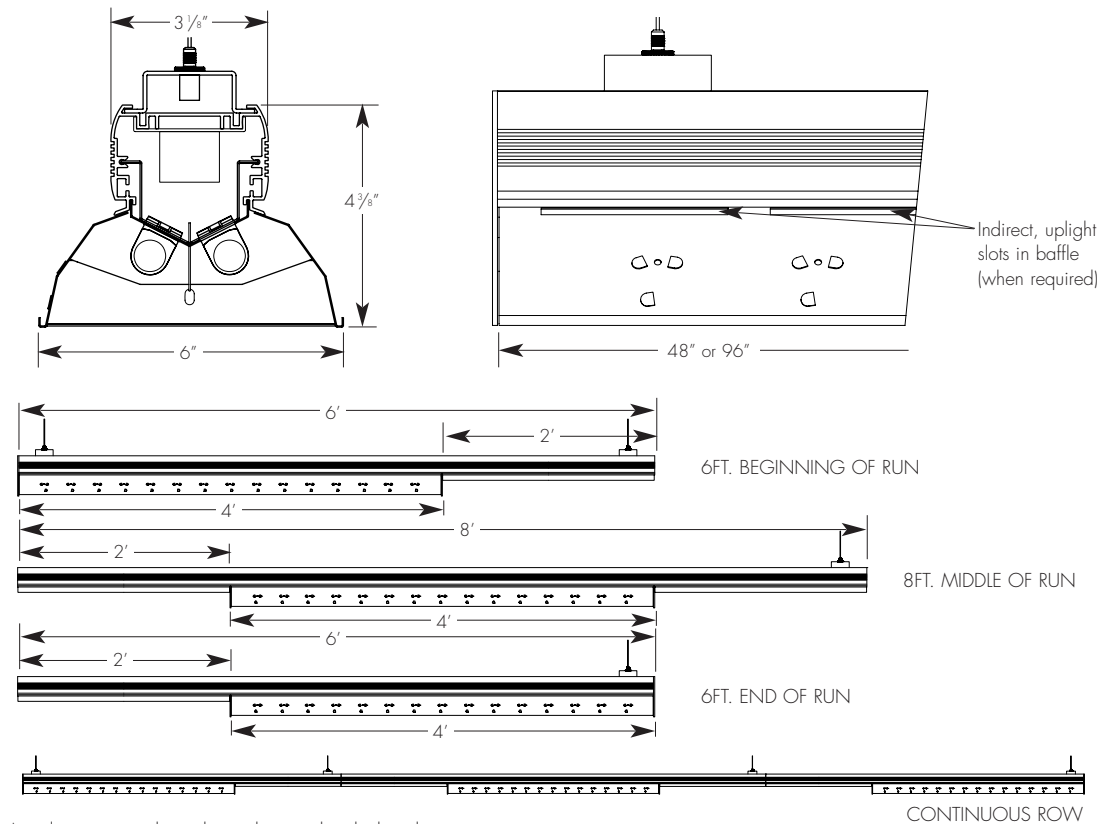
OPTICS:

2 T5/T5HO fluorescent lamps per 4' length
"V" shaped, specular or semi-specular blades, 1" high x 3" o.c. provide wide distribution and high vertical footcandles, ideal for aisle or stack lighting
Direct or direct/indirect slotted louver



PROJECT:

TYPE:



Amerlux reserves the right to change details that do not affect overall function and performance.

ORDERING INFORMATION:

Model #	Light Dist./ Shielding*	Mounting*	# Lamps	Wattage	Lamp Type	Finish	Length	Voltage	Configuration	Options
64LSEW-D (direct)	PBL (S) - parabolic specular louver	ASW10 - aircraft cable with straight white feed, 10'	2	28	T5	WT - white texture	6 (BOR/EOR) 8 (MOR)	120 277	BOR - beginning of run	DIM - dimming ballast
64LSEW-DI (direct/indirect)	PBL (SS) - parabolic semi-specular louver	ASW10 - aircraft cable with straight white feed, 10'	2	54	T5HO	BT - black texture WT - white texture - (other RAL)	6 (BOR/EOR) 8 (MOR)	120 277	MOR - middle of run EOR - end of run	EM - emergency battery pack

Example: 64LSEW-DI-PBL(SS)-ASB10-2-28-T5-BT-6-120-BOR

Cat #: