

# PARI ARCHITECTURAL ROUND PENDANT 2 METAL HALIDE

PARI-2R  
CDM-Tm

**APPLICATION:**

Retail, hospitality and commercial task and decorative lighting

**CONSTRUCTION:**

Extruded aluminum ballast housing  
Stamped aluminum top plate & components  
Spun aluminum canopy, fits standard 4" octagonal j-box  
Blown satin cased, etched glass  
On/Off switch  
PGJ5 pulse rated socket

**OPTICS:**

Amerlux optics specifically designed for the CDM-Tm Mini MasterColor® lamp  
Frosted glass lens

**MOUNTING:**

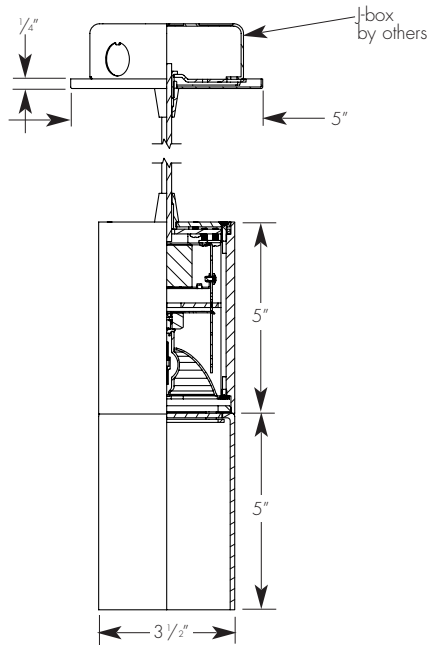
Canopy mounted, 10' feed cord standard

**LABELING:**

cUL listed



PROJECT :  
  
TYPE :



**ELECTRICAL**

		Lamping	
		20w	
Ballast		Input	Amps*
Electronic	120v	26	0.23

\*Data is for open circuit current  
CDM-Tm PGJ5 base metal halide, 20w

Amerlux reserves the right to change details that do not affect overall function and performance.



**ORDERING INFORMATION:**

Model	Wattage	Lamp Type	Ballast	Finish: Glass	Body	Mounting	Voltage
PARI-2R	20	MM - CDM-Tm Mini MasterColor®	E - electronic	SO - satin opal SA - satin amber	NA - brushed aluminum AMBZ - american bronze	CC - canopy/cord*	120

Example: PARI-2R-20-MM-E-SO-NA-CC-120

Cat #:

\*Canopy & cord to match the body finish of the fixture