

# PARI ARCHITECTURAL ROUND PENDANT 3 METAL HALIDE

PARI-3R  
CDM-Tm

## APPLICATION:

Retail, hospitality and commercial task and display lighting

## CONSTRUCTION:

Extruded aluminum ballast housing  
Stamped aluminum top plate & components  
Spun aluminum canopy, fits standard 4" octagonal j-box  
Blown satin cased, etched glass  
On/Off switch  
PGJ5 pulse rated socket

## OPTICS:

Amerlux optics specifically designed for the CDM-Tm Mini MasterColor® lamp  
Frosted glass lens

## MOUNTING:

Canopy mounted, 10' feed cord standard

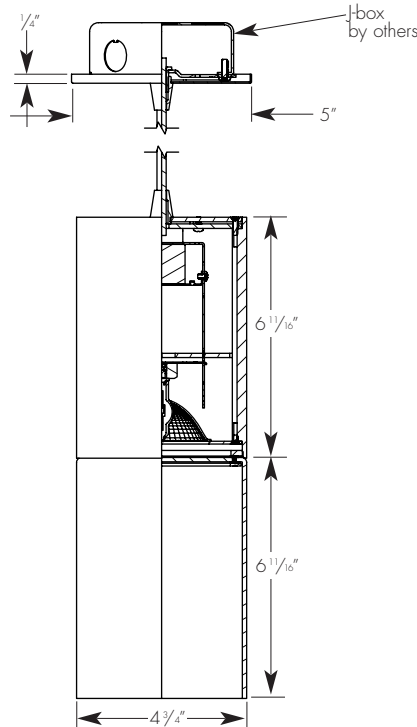
## LABELING:

cUL listed



PROJECT :

TYPE :



## ELECTRICAL

Ballast	Input volts	Lamping	
		Watts	Amps*
Electronic	120v	26	0.23

\*Data is for open circuit current  
CDM-Tm PGJ5 base metal halide, 20w

Amerlux reserves the right to change details that do not affect overall function and performance.

## ORDERING INFORMATION:

Model	Wattage	Lamp Type	Ballast	Finish: Glass	Body	Mounting	Voltage
PARI-3R	20	MM - CDM-Tm Mini MasterColor®	E - electronic	SO - satin opal  SA - satin amber	NA - brushed aluminum  AMBZ - american bronze	CC - canopy/cord*	120



Example: PARI-3R-20-MM-E-SO-NA-CC-120

Cat #:

\*Canopy & cord to match the body finish of the fixture