

PARI ARCHITECTURAL ROUND PENDANT 3

COMPACT FLUORESCENT

PARI-3R
TTT/QT

APPLICATION:

Retail, hospitality and commercial task and decorative lighting

OPTICS:

Triple tube compact fluorescent lamp
1 x 26w or 32w

CONSTRUCTION:

Extruded aluminum ballast housing
Stamped aluminum top plate and components
Spun aluminum canopy, fits standard 4" octagonal j-box
Blown satin cased, etched glass
GX24q-4 multi-base, 4 in socket

MOUNTING:

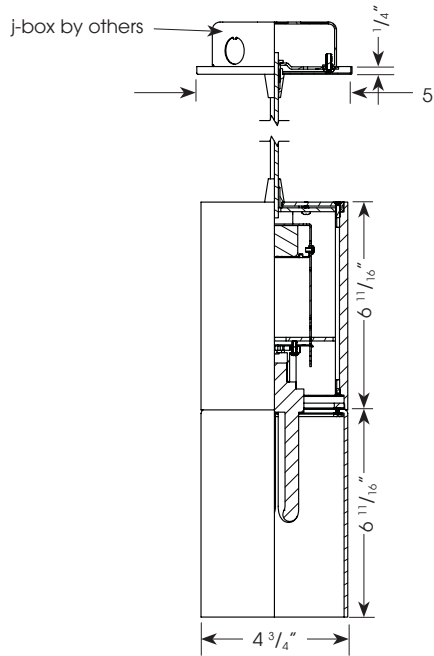
Canopy mounted, 10' feed cord standard

LABELING:



PROJECT:

TYPE:



ELECTRICAL

Ballast	Input	Lamping		Input	Amps
		1x26w	1x32w		
Electronic	120v	27	.21	33.6	.27
	277v	27	.10	33.6	.12

ORDERING INFORMATION:

Model	Wattage	Lamp Type	Driver	Finish Glass	Body	Mounting	Voltage
PARI-3R	26	TTT - triple tube compact fluorescent lamp	E - electronic	SO - satin opal	NA - brushed aluminum	CC - canopy/cord*	120/277U
		qt - quad tube compact fluorescent lamp		SA - satin amber	AMBZ - american bronze		
	32	TTT - triple tube compact fluorescent lamp					

Example: PARI-3R-26-TTT-E-SO-NA-CC-120/277U

*Canopy/cord to match the body finish of the fixture

Cat #:

Amerlux reserves the right to change details that do not affect overall function and performance.