

# EVOKE 2.9 ROUND GLASS DOWNLIGHT

**E2.9RG**  
CDM-Tm

**APPLICATION:**

Commercial and retail ambient lighting

**HOUSING CONSTRUCTION:**

20 ga. steel painted matte black  
Formed aperture plate with 5/8" lip (GB-standard)  
Integral adjustable locking mounting bars  
Thermally protected  
PGJ5 pulse rated socket

**OPTICS:**

Die-cast lamp housing, with twist in/out lens holder  
Spun faceted & peened optics, specially designed for CDM-Tm lamps  
Available in custom tints to tune beam to provide incandescent-like hue

**LAMPING:**

Phillips CDM-Tm Mini MasterColor® PGJ5 base, 20w and 39w

**REFLECTOR CONSTRUCTION:**

Die-cast aluminum trim with brushed finish and clear coat  
Blow molded satin opal etched glass

**MOUNTING:**

Specify ceiling mounting:  
GRID: 1" deep aperture collar  
GB (Gyp. Board): 5/8" deep aperture collar  
Extra thick ceiling ring available for ceilings over 1" thick, consult factory  
Note: Tilt adjustment reduced to 30° in ceilings 1 1/4" thick

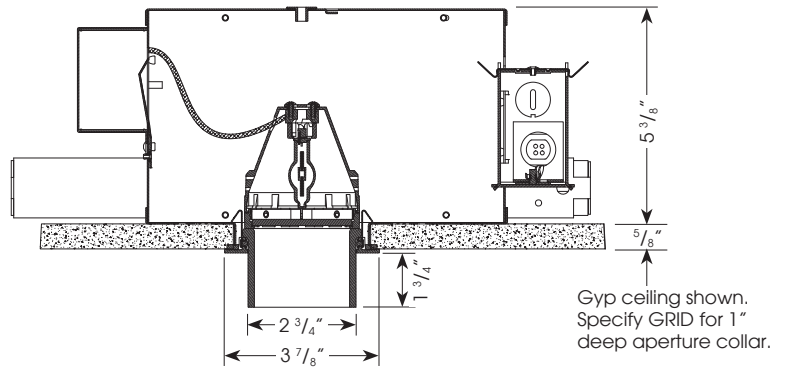
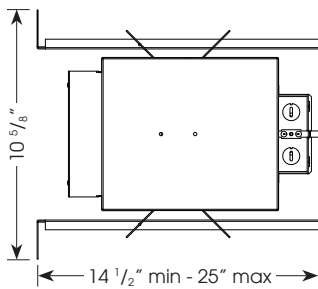
**LABELING:**

 Damp location



PROJECT:

TYPE:



**ELECTRICAL**

Ballast	Input Voltage	Lamping			
		20w		39w	
		Watts	Amps*	Watts	Amps*
Electronic	120v	26	.23	45	.40
	277v	26	.12	45	.20

\*data is for open circuit current  
CDM-Tm PGJ5 base metal halide, 20w and 39w  
**Electronic ballast**

**ORDERING INFORMATION:**

Amerlux reserves the right to change details that do not affect overall function and performance.

Housing Model	Wattage	Lamp Type	Voltage	Beam Spread	Ceiling Mounting	Optic Options	Reflector Model	Aperture Finish
E2.9RD 39	20 39	MM - Mini MasterColor CDM-Tm	120 277	CL - spot, 12° NF - narrow flood, 18° FL - flood, 25° WF - wide flood, 40°	GB - 5/8" deep collar GRID - 1" deep collar - (other, consult factory)	GOLD - ferric gold optic reflector DB2690 - DB2690 optic reflector	E2.9RG	SONA - satin opal glass with brushed aluminum ring

Complete Unit Specification: E2.9RD-20-MM-120-NF-GB/E2.9RG-SONA  
Housing Only: E2.9RD-20-MM-120-NF-GB  
Reflector Only: E2.9RG-SONA

Cat #: