

EVOKE 2.9 ROUND GLASS DOWNLIGHT

E2.9RG
CMHMR16

APPLICATION:

Commercial and retail ambient lighting

HOUSING CONSTRUCTION:

20 ga. steel painted matte black
Formed aperture plate with 5/8" lip (GB-standard)
Integral adjustable locking mounting bars
Thermally protected
GX10 TAL pulse rated socket

OPTICS:

Die-cast lamp housing, with steel lamp retaining clip

REFLECTOR CONSTRUCTION:

Die-cast aluminum trim with brushed finish and clear coat
Blow molded satin opal etched glass

MOUNTING:

Specify ceiling mounting:
GRID: 1" deep aperture collar
GB (Gyp. Board): 5/8" deep aperture collar
Extra thick ceiling ring available for ceilings over 1" thick, consult factory
Note: Tilt adjustment reduced to 30° in ceilings 1 1/4" thick

LABELING:

 us
Damp location

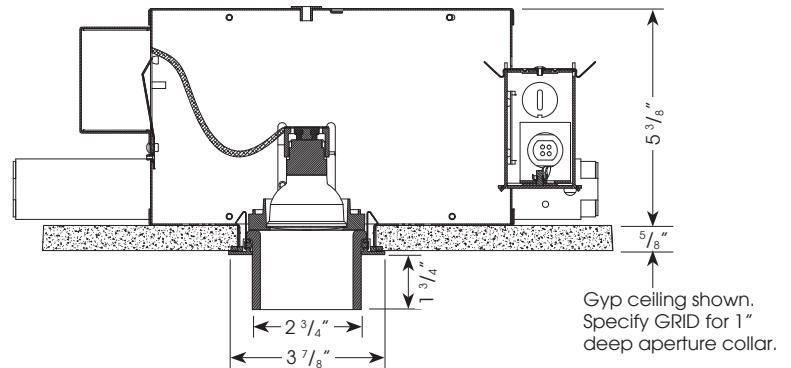
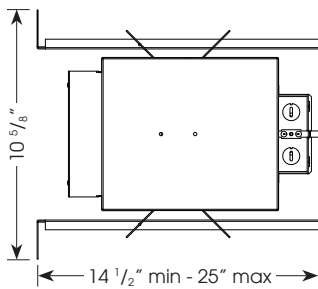
LAMPING:

CMHMR16 GX10 base, 20w and 39w



PROJECT:

TYPE:



ELECTRICAL

Ballast	Input Voltage	Lamping			
		20w		39w	
		Input Watts	Input Amps*	Input Watts	Input Amps*
Electronic	120v	24	.20	45	.40
	277v	24	.09	44	.16

*data is for open circuit current
CMHMR16 GX10 base metal halide, 20w and 39w

Electronic ballast

Housing Model	Wattage	Lamp Type	Voltage	Ceiling Mounting
E2.9RD	20	CMHMR16	120	GB - 5/8" deep collar
	39		277	GRID - 1" deep collar
				(other, consult factory)

ORDERING INFORMATION:

Reflector Model	Aperture Finish
E2.9RG	SONA - satin opal glass with brushed aluminum ring

ACCESSORIES Ordered Separately
SOL16 - solite beam softening lens

Amerlux reserves the right to change details that do not affect overall function and performance.

Complete Unit Specification: E2.9RD-20-CMHMR16-120-GB/E2.9RG-SONA

Housing Only: E2.9RD-20-CMHMR16-120-GB

Reflector Only: E2.9RG-SONA

Cat #: