

EVOKE 2.9 ROUND GLASS DOWNLIGHT

E2.9RG
MR16

APPLICATION:

Commercial and retail ambient lighting

HOUSING CONSTRUCTION:

20 ga. steel painted matte black
Formed aperture plate with 5/8" lip (GB-standard)
Integral adjustable locking mounting bars
Thermally protected
Bi-pin base

OPTICS:

Die-cast lamp housing, with steel lamp retaining clip
Clear lens
Solite beam softening lens (standard)

REFLECTOR CONSTRUCTION:

Die-cast aluminum trim with brushed finish and clear coat
Blow molded satin opal etched glass

MOUNTING:

Specify ceiling mounting:
GRID: 1" deep aperture collar
GB (Gyp. Board): 5/8" deep aperture collar
Extra thick ceiling ring available for ceilings over 1" thick, consult factory
Note: Tilt adjustment reduced to 30° in ceilings 1 1/4" thick

LABELING:

 us
Damp location

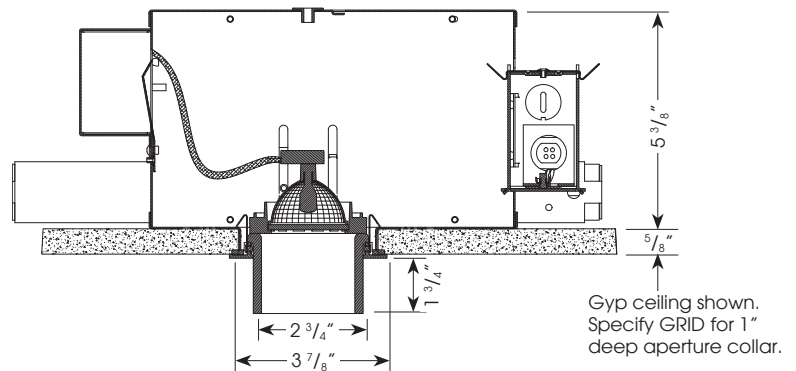
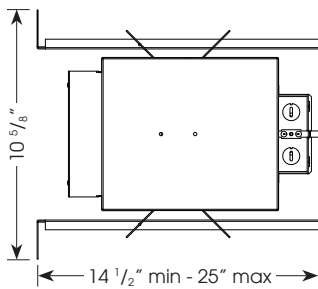
LAMPING:

MR16 Halogen, 50w max., 12v.



PROJECT:

TYPE:



ELECTRICAL

Ballast	Input	Lamping	
		Watts	Amps*
Electronic 120v	50	50	.42
	277v	50	.18

*data is for open circuit current
MR16 Bi-pin base, 50w max.

Electronic ballast

Housing Model	Lamp Type	Voltage	Ceiling Mounting
E2.9RD	MR16 (50w max)	120 277	GB - 5/8" deep collar GRID - 1" deep collar - (other, consult factory)

ORDERING INFORMATION:

Reflector Model	Aperture Finish
E2.9RG	SONA - satin opal glass with brushed aluminum ring

Amerlux reserves the right to change details that do not affect overall function and performance.

Complete Unit Specification: E2.9RD-50-MR16-120-GB/E2.9RG-SONA

Housing Only: E2.9RD-50-MR16-120-GB

Reflector Only: E2.9RG-SONA

Cat #: