

EVOKE 2.9" INSULATED CEILING ROUND GLASS DOWNLIGHT

E2.9RICAT/
E2.9RG
MR16

APPLICATION:

Residential accent and general lighting

HOUSING CONSTRUCTION:

0.050 aluminum and 20 ga. steel housing
Powder coat matte black
Formed aperture plate with 1/2" lip
Adjustable mounting bars for (wood) joist construction
Thermally protected
GX5.3 Bi-Pin base

OPTICS:

Spun aluminum lamp ring, snaps in/out for re-lamping
Silk screened fixture positions provide exact setting for downlight, adjustable or wall wash reflector trims
Solite lens (standard)

REFLECTOR CONSTRUCTION:

Die-cast aluminum trim with brushed finish and clear coat
Blow molded satin opal etched glass

MOUNTING:

For use in sheet rock ceilings
Max. ceiling thickness - 1"

LABELING:

cUL listed
Damp location
Complies with Air Leakage requirements as stated in the Model Energy Code and Washington State Energy Code

LAMPING:

MR16 halogen, 50w max., 12v.

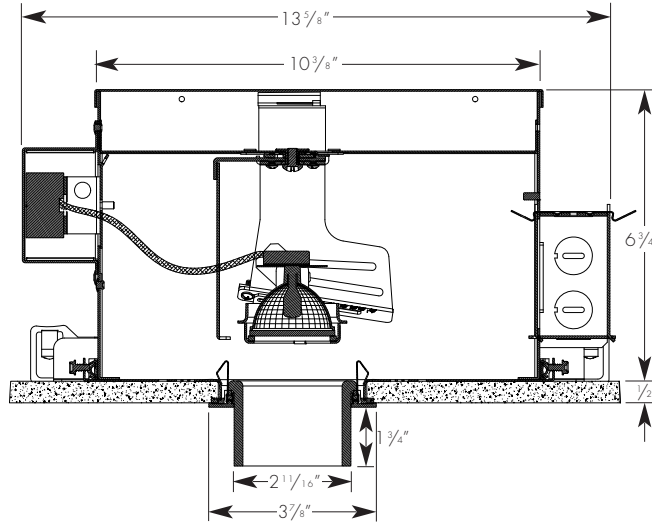
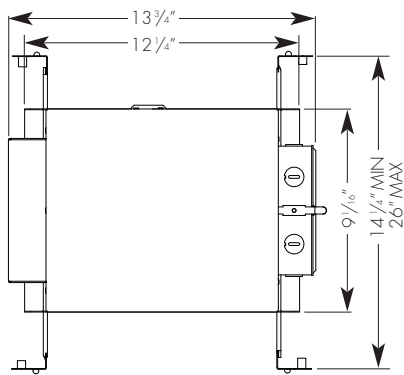


PROJECT:

TYPE:

ecotECTURAL

Architectural lighting for sustainable design.



Ceiling cut out dimension: 3 7/8" dia.

ELECTRICAL

Transformer	Lamping 50w	
	Input watts	Amps
Electronic 120v	50	.42

MR16 Bi-Pin base, 50w max.

Electronic transformer compatible w/dimming systems that control electronic transformers

Amerlux reserves the right to change details that do not affect overall function and performance.



ORDERING INFORMATION:

HOUSING			REFLECTOR	
Model #	Lamp Type	Voltage	Model #	Aperture Finish
E2.9RICAT	MR16 (50w max)	120	E2.9RG	SONA - satin opal glass with brushed aluminum trim ring

Complete Unit Specification: E2.9RICAT-MR16-120/E2.9RG-SONA

Housing Only: E2.9RICAT-MR16-120

Reflector Only: E2.9RG-SONA

Cat #: