

PARI ARCHITECTURAL ROUND PENDANT 2 COMPACT FLUORESCENT

PARI-2R
TTT/QT

APPLICATION:

Retail, hospitality and commercial task and display lighting

CONSTRUCTION:

Extruded aluminum ballast housing
Stamped aluminum top plate & components
Spun aluminum canopy, fits standard 4" octagonal j-box
Blown satin cased, etched glass
GX24q-1 (13w), 4 pin socket
GX24q-2 (18w), 4 pin socket

OPTICS:

Triple tube compact fluorescent lamp, 13w and 18w

MOUNTING:

Canopy mounted, 10' feed cord standard

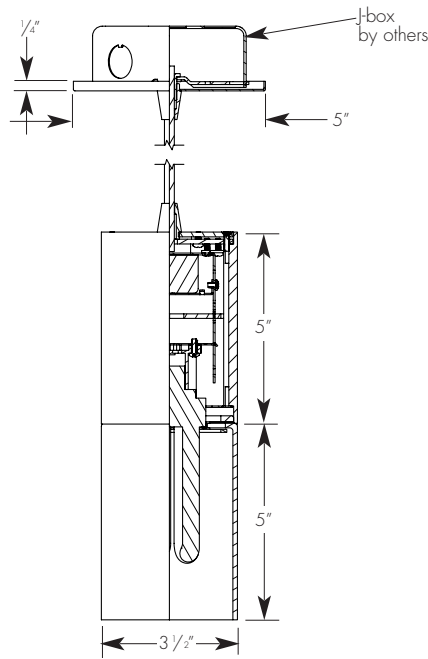
LABELING:

cUL listed



PROJECT :

TYPE :



ELECTRICAL

Ballast	120v	Lamping			
		13w		18w	
		Input watts	Amps	Input watts	Amps
Electronic		14.3	.12	16.5	.14

Amerlux reserves the right to change details that do not affect overall function and performance.

ORDERING INFORMATION:

Model	Wattage	Lamp Type	Ballast	Finish:		Mounting	Voltage
				Glass	Body		
PARI-2R	13	TTT - triple tube compact fluorescent lamp QT - quad tube compact fluorescent lamp	E - electronic	SO - satin opal	NA - brushed aluminum	CC - canopy/cord*	120
	18			SA - satin amber	AMBZ - american bronze		



Example: PARI-2R-18-TTT-E-SO-NA-CC-120

Cat #:

*Canopy & cord to match the body finish of the fixture