

IMPERIA T6 ZOOM SPOT

T6 MINI WHITE SON

IMZ-WS
T6 MINI
WHITE SON

APPLICATION:

Retail and commercial accent and display lighting

CONSTRUCTION:

Die-cast aluminum lamp housing and base with no exposed hardware
Extruded aluminum ballast housing
On/off lens cartridge allows for easy relamping
Powder coat paint
Comfort snoot provides simple press and rotate adjustment and additional shielding
GX12 pulse rated socket

OPTICS:

Wide range optics from high performance specular fluted, faceted and peened aluminum reflectors
90° tilt, 358° rotation
Vertical aiming angle indicator
Locking vertical adjustment

MOUNTING:

Available for track, canopy or busway

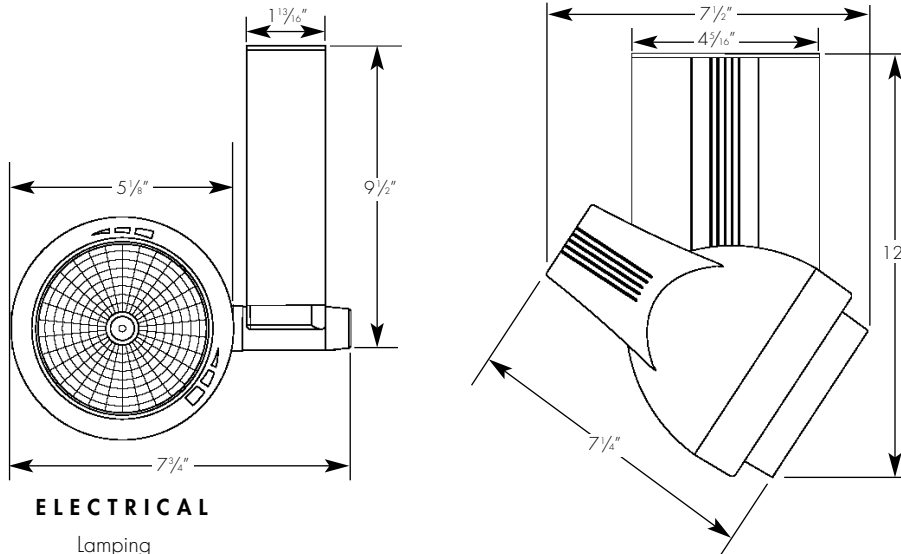
LABELING:

cUL listed



PROJECT:

TYPE:



ELECTRICAL

Ballast	Lamping	100w	
		Input watts	Amps*
Electronic	120v	112	.93
	277v	110	.42

*Data is for open circuit current

T6 Mini White SON® GX12 base single ended lamp, 100w

Amerlux reserves the right to change details that do not affect overall function and performance.

ORDERING INFORMATION:

Model	Wattage	Lamp Type	Ballast	Finish	Mounting	Voltage	Optics	Reflector Type	Options/Accessories
IMZ-WS	100	T6	E - electronic	WT - white textured BT - black textured ST - silver textured ____ (other RAL)	TEK - Global 2cir/2neut 120v TN3 - Global 3cir 120v TN2 - Global 2cir/2neut 277v C - canopy B - busway CCL - C-clamp ____ (other)	120 277	Z - Zoom field adjustable F - factory set	W - wide (30°-55°) CL - spot FL - flood WF - wide flood VWF - very wide flood SL - linear spread lens	GOLD - ferric gold optic reflector DB2690 - DB2690 optic reflector HEX - hexcell louver (1/8" x 1/8")

Field Adjustable Example: IMZ-WS-100-T6-E-ST-TN3-120-Z-W

Factory Set Example: IMZ-WS-100-T6-E-ST-TN3-120-F-FL

Cat #: