

# IMPERIA T6 WALL WASH

T6 MINI WHITE SON

IMZW-WS  
T6 MINI  
WHITE SON

**APPLICATION:**

Retail and commercial wall wash applications

**CONSTRUCTION:**

Die-cast aluminum lamp housing and base  
Extruded aluminum ballast housing  
Captive lamp housing door with locking knob permits hands-free relamping  
Powder coat paint  
GX12 pulse rated socket

**OPTICS:**

High performance formed aluminum textured reflector  
90° tilt, 358° rotation  
Vertical aiming angle indicator  
Locking vertical adjustment

**MOUNTING:**

Available for track, canopy or busway

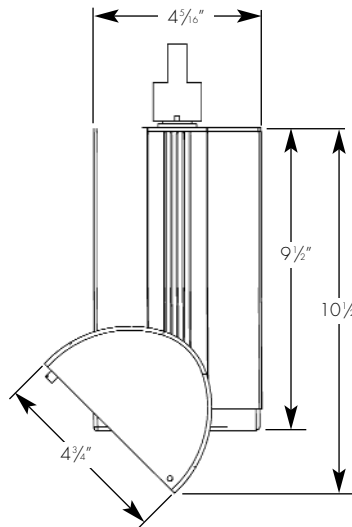
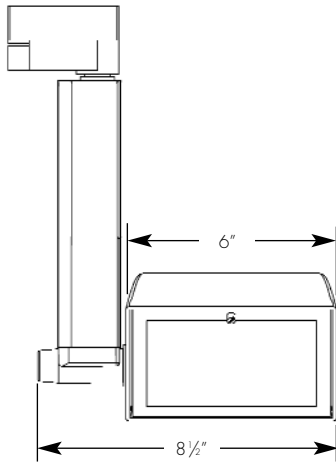
**LABELING:**

cUL listed



PROJECT :

TYPE :



**ELECTRICAL**

Ballast	Lamping 100w	Input	
		watts	Amps*
Electronic	120v	112	.93
	277v	110	.42

\*Data is for open circuit current

T6 Mini White SON® GX12 base single ended lamp, 100w

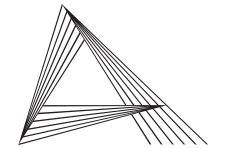
Amerlux reserves the right to change details that do not affect overall function and performance.

**ORDERING INFORMATION:**

Model	Wattage	Lamp Type	Ballast	Finish	Mounting	Voltage	Beam Spreads	Options/ Accessories
IMZW-WS	100	T6	E - electronic	WT - white textured BT - black textured ST - silver textured _____ (other RAL)	TEK - Global 2cir/2neut 120v TN3 - Global 3cir 120v TN2 - Global 2cir/2neut 277v C - canopy B - busway CCL - C-clamp _____ (other)	120 277	WW - wall wash	GOLD - ferric gold optic reflector DB2690 - DB2690 optic reflector VISOR - angled visor provides additional shielding and beam cut off, specify finish CB - cross blade, 1" deep

Example: IMZW-WS-100-T6-E-WT-TN3-120-WWW

Cat #:



**AMERLUX**  
LIGHTING SOLUTIONS

ADAPT. ABILITY.™