

# EVOKE 2.9 ROUND ADJUSTABLE WET LOCATION

**E2.9RASHW**  
CDM-Tm

**APPLICATION:**

Hospitality, commercial and retail accent lighting

**HOUSING CONSTRUCTION:**

20 ga. steel painted matte black  
Formed aperture plate with 5/8" lip (GB-standard)  
Integral adjustable locking mounting bars  
Thermally protected  
PGJ5 pulse rated socket

**REFLECTOR CONSTRUCTION:**

Spun aluminum self flanged reflector with key slot cut  
Variety of anodized aperture finishes in both white and clear flange  
Steel mounting ring with torsion spring  
Clear glass lens

**LAMPING:**

Phillips CDM-Tm Mini MasterColor PGJ5 base, 20w and 39w

**OPTICS:**

Cam adjustment mechanism provides lockable 0-40° tilt; 360°+ rotation  
Die-cast lamp housing with twist in/out lens holder  
Spun faceted and peened optics, specially designed for CDM-Tm lamps  
Available in custom tints to tune beam to provide incandescent-like hue

**MOUNTING:**

Specify ceiling mounting:  
GRID: 1" deep aperture collar  
GB (Gyp. Board): 5/8" deep aperture collar  
Extra thick ceiling ring available for ceilings over 1" thick, consult factory  
Note: Tilt adjustment reduced to 30° in ceilings 1 1/4" thick

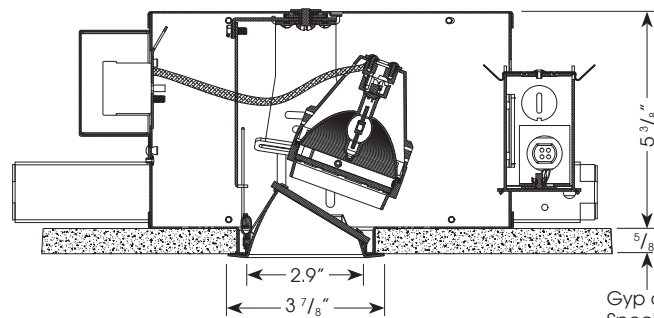
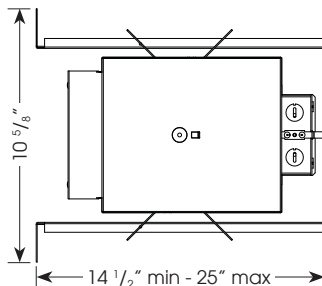
**LABELING:**

cUL listed  
Wet location



PROJECT:

TYPE:



Celling Cut Out Dimension: 3 7/16" dia.

**ELECTRICAL**

Ballast	Lamping			
	20w		39w	
	Input Watts	Input Amps*	Input Watts	Input Amps*
Electronic 120v	26	.23	45	.40
277v	26	.12	45	.20

\*data is for open circuit current  
CMH CDM-Tm base metal halide, 20w and 39w  
**Electronic ballast**

**ORDERING INFORMATION:**

Amerlux reserves the right to change details that do not affect overall function and performance.

Housing						Reflector		
Model	Wattage	Lamp Type	Voltage	Beam Spread	Ceiling Mounting	Optic Options	Model	Aperture Finish
E2.9RA	20 39	MM - Mini MasterColor® CDM-Tm	120 277	CL - spot, 12° NF - narrow flood, 18° FL - flood, 25° WF - wide flood, 40°	GB - 5/8" deep collar GRID - 1" deep collar - (other, consult factory)	GOLD - ferric gold optic reflector DB2690 - DB2690 optic reflector	E2.9RASHW	<p>Reflector with White Painted Flange</p> <p>SDW - semi-diffuse clear CLW - specular clear GDW - specular gold BKW - specular black MWW - matte white</p> <p>Reflector with Clear Flange (flange finish matches cone finish)</p> <p>SDC - semi-diffus clear CLC - specular clear GDC - specular gold BKC - specular black</p>

Complete Unit Specification: E2.9RA-20-MM-120-NF-GB/E2.9RASHW-SDW  
Housing Only: E2.9RA-20-MM-120-NF-GB  
Reflector Only: E2.9RASHW-SDW

Cat #: