

EVOKE 2.9 ROUND ADJUSTABLE WET LOCATION

E2.9RASHW
PAR20MH

APPLICATION:

Hospitality, commercial and retail accent lighting

HOUSING CONSTRUCTION:

20 ga. steel painted matte black
Formed aperture plate with 5/8" lip (GB-standard)
Integral adjustable locking mounting bars
Thermally protected
Medium base pulse rated socket

REFLECTOR CONSTRUCTION:

Spun aluminum self flanged reflector with key slot cut
Variety of anodized aperture finishes in both white and clear flange
Steel mounting ring with torsion spring
Clear glass lens

LAMPING:

PAR20MH medium base, 20w and 39w

OPTICS:

Cam adjustment mechanism provides lockable 0-40° tilt; 360°+ rotation
Formed steel lamp holder

MOUNTING:

Specify ceiling mounting:
GRID: 1" deep aperture collar
GB (Gyp. Board): 5/8" deep aperture collar
Extra thick ceiling ring available for ceilings over 1" thick, consult factory
Note: Tilt adjustment reduced to 30° in ceilings 1 1/4" thick

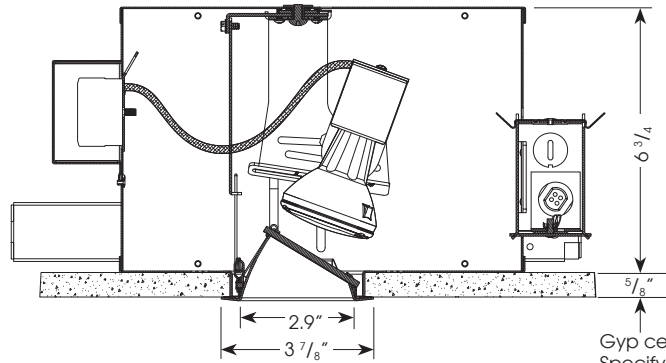
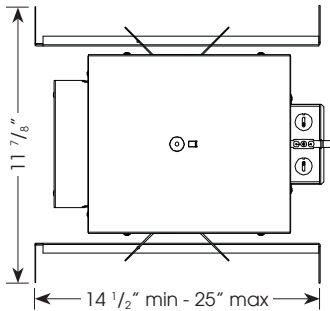
LABELING:

cUL listed
Wet location



PROJECT:

TYPE:



Ceiling Cut Out Dimension: 3 7/16" dia.

ELECTRICAL

Ballast	Lamping			
	20w		39w	
	Input Watts	Input Amps*	Input Watts	Input Amps*
Electronic 120v	24	.20	45	.40
277v	22	.09	44	.16

*data is for open circuit current
PAR20MH medium base, 20w and 39w
Electronic ballast

ORDERING INFORMATION:

Amerlux reserves the right to change details that do not affect overall function and performance.

Housing				Reflector	
Model	Wattage	Lamp Type	Voltage	Model	Aperture Finish
E2.9RAX	20 39	PAR20MH	120 277	E2.9RASHW	Reflector with White Painted Flange
					SDW - semi-diffuse clear
					CLW - specular clear
					GDW - specular gold
					BKW - specular black
					MWW - matte white
					Reflector with Clear Flange
					(flange finish matches cone finish)
					SDC - semi-diffus clear
					CLC - specular clear
					GDC - specular gold
					BKC - specular black

Complete Unit Specification: E2.9RAX-20-PAR20MH-120-GB/E2.9RASHW-SDW
Housing Only: E2.9RAX-20-PAR20MH-120-GB
Reflector Only: E2.9RASHW-SDW

Cat #: