

EVOKE 2.9 SQUARE ADJUSTABLE WET LOCATION

E2.9SASHW
T4GU6.5

APPLICATION:

Hospitality, commercial and retail accent lighting

HOUSING CONSTRUCTION:

20 ga. steel painted matte black
Formed aperture plate with 5/8" lip (GB-standard)
Integral adjustable locking mounting bars
Thermally protected
GU6.5 TAL pulse rated socket

REFLECTOR CONSTRUCTION:

Die-cast aluminum seamless self-flange reflector trim
Painted finishes include matte white and optical matte black with matte white flange
Spring steel mounting clips
Clear glass lens

LAMPING:

CMH T4GU6.5 base, 15w (SYLVANIA METALARC® POWERBALL®), 20w and 39w

OPTICS:

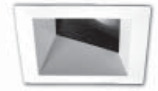
Cam adjustment mechanism provides lockable 0-40° tilt; 360°+ rotation
Die-cast lamp housing, with twist in/out lens holder
Spun faceted and peened optics, specially designed for T4GU6.5 lamps
Available in custom tints to tune beam to provide incandescent-like hue

MOUNTING:

Specify ceiling mounting:
GRID: 1" deep aperture collar
GB (Gyp. Board): 5/8" deep aperture collar
Extra thick ceiling ring available for ceilings over 1" thick, consult factory
Note: Tilt adjustment reduced to 30° in ceilings 1 1/4" thick

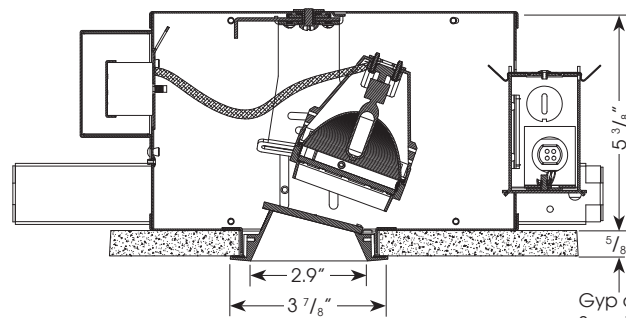
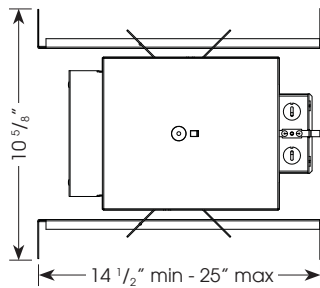
LABELING:

cUL listed
Wet location



PROJECT:

TYPE:



Ceiling Cut Out Dimension: 3 7/16" sq.

Gyp ceiling shown. Specify GRID for 1" deep aperture collar.

ELECTRICAL

Ballast	Lamping					
	15w		20w		39w	
	Input Watts	Amps*	Input Watts	Amps*	Input Watts	Amps*
Electronic 120v	18	.15	24	.20	45	.40
277v	18	.07	24	.09	45	.16

*data is for open circuit current
CMH T4GU6.5 base metal halide, 15w, 20w and 39w
Electronic ballast

ORDERING INFORMATION:

Amerlux reserves the right to change details that do not affect overall function and performance.

Housing Model	Wattage	Lamp Type	Voltage	Beam Spread	Ceiling Mounting	Optic Options	Reflector Model	Aperture Finish
E2.9SA	15 20 39	T4GU6.5	120 277	CL - spot, 12° NF - narrow flood, 18° FL - flood, 25° WF - wide flood, 40° SL - linear spread, 5° x 55°	GB - 5/8" deep collar GRID - 1" deep collar _____ (other, consult factory)	GOLD - ferric gold optic reflector DB2690 - DB2690 optic reflector	E2.9SASHW	Reflector with White Painted Flange MBW - matte black MWW - matte white

Complete Unit Specification: E2.9SA-20-T4GU6.5-120-NF-GB/E2.9SASHW-MBW
Housing Only: E2.9SA-20-T4GU6.5-120-NF-GB
Reflector Only: E2.9SASHW-MBW

Cat #:



GLOBAL LIGHTING SOLUTIONS

LIT-0627 rev 5/10