

EVOKE 2.9 SQUARE ADJUSTABLE WET LOCATION

E2.9SASHW
CMHMR16

APPLICATION:

Hospitality, commercial and retail accent lighting

HOUSING CONSTRUCTION:

20 ga. steel painted matte black
Formed aperture plate with $\frac{5}{8}$ " lip (GB-standard)
Integral adjustable locking mounting bars
Thermally protected
GX10 TAL pulse rated socket

REFLECTOR CONSTRUCTION:

Die-cast aluminum seamless self-flange reflector trim
Painted finishes include matte white and optical
matte black with matte white flange
Spring steel mounting clips
Clear glass lens

LAMPING:

CMHMR16, GX10 base, 20w and 39w

OPTICS:

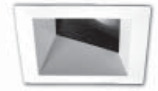
Cam adjustment mechanism provides
lockable 0-40° tilt; 360°+ rotation
Spun aluminum lamp holder, snaps in/out for easy
re-lamping
Accepts up to two accessories

MOUNTING:

Specify ceiling mounting:
GRID: 1" deep aperture collar
GB (Gyp. Board): $\frac{5}{8}$ " deep aperture collar
Extra thick ceiling ring available for ceilings over 1"
thick, consult factory
Note: Tilt adjustment reduced to 30° in ceilings $1\frac{1}{4}$ "
thick

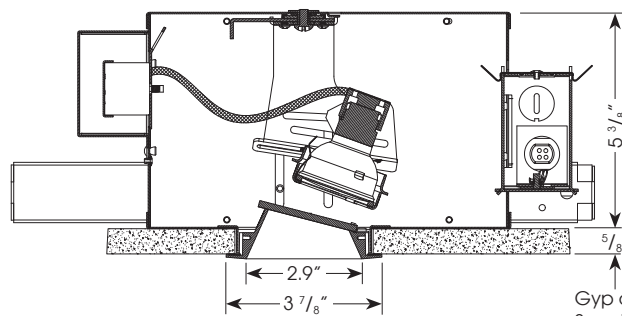
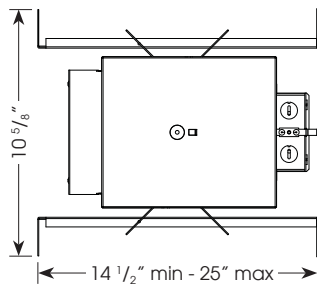
LABELING:

cUL listed
Wet location



PROJECT:

TYPE:



Ceiling Cut Out Dimension: $3\frac{7}{16}$ " sq.

Gyp ceiling shown.
Specify GRID for 1" deep aperture collar.

ELECTRICAL

Ballast	Lamping			
	20w		39w	
	Input Watts	Input Amps*	Input Watts	Input Amps*
Electronic 120v	24	.20	45	.40
277v	22	.09	44	.16

*data is for open circuit current
CMHMR16, GX10 base metal halide, 20w and 39w
Electronic ballast

ORDERING INFORMATION:

Amerlux reserves the right to change details that do not affect overall function and performance.

Housing Model	Wattage	Lamp Type	Voltage	Ceiling Mounting	Reflector Model	Aperture Finish
E2.9SA	20 39	CMHMR16	120 277	GB - 5/8" deep collar GRID - 1" deep collar - (other, consult factory)	E2.9SASHW	Reflector with White Painted Flange MBW - matte black MWW - matte white

Complete Unit Specification: E2.9SA-20-CMHMR16-120-GB/E2.9SASHW-MBW
Housing Only: E2.9SA-20-CMHMR16-120-GB
Reflector Only: E2.9SASHW-MBW

Cat #: