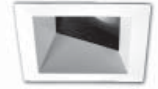


EVOKE 2.9 SQUARE ADJUSTABLE WET LOCATION

E2.9SASHW
PAR20MH



APPLICATION:

Hospitality, commercial and retail accent lighting

HOUSING CONSTRUCTION:

20 ga. steel painted matte black
Formed aperture plate with 5/8" lip (GB-standard)
Integral adjustable locking mounting bars
Thermally protected
Medium base pulse rated socket

REFLECTOR CONSTRUCTION:

Die-cast aluminum seamless self-flange reflector trim
Painted finishes include matte white and optical
matte black with matte white flange
Spring steel mounting clips
Clear glass lens

LAMPING:

PAR20MH medium base, 20w and 39w

OPTICS:

Cam adjustment mechanism provides
lockable 0-40° tilt; 360°+ rotation
Formed aluminum lamp holder

MOUNTING:

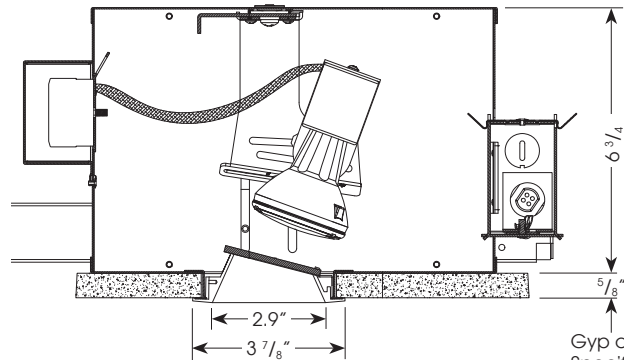
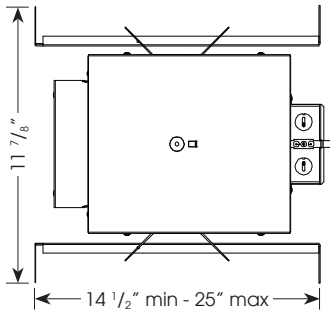
Specify ceiling mounting:
GRID: 1" deep aperture collar
GB (Gyp. Board): 5/8" deep aperture collar
Extra thick ceiling ring available for ceilings over 1"
thick, consult factory
Note: Tilt adjustment reduced to 30° in ceilings 1 1/4"
thick

LABELING:

cUL listed
Wet location

PROJECT:

TYPE:



Ceiling Cut Out Dimension: 3 7/16" dia.

ELECTRICAL

Ballast	Lamping			
	20w		39w	
	Input Watts	Amps*	Input Watts	Amps*
Electronic 120v	24	.20	45	.40
277v	22	.09	44	.16

*data is for open circuit current
PAR20MH medium base, 20w and 39w

Electronic ballast

ORDERING INFORMATION:

Amerlux reserves the right to change details that do not affect overall function and performance.

Housing Model	Wattage	Lamp Type	Voltage	Ceiling Mounting	Reflector Model	Aperture Finish
E2.9SAX	20	PAR20MH	120	GB - 5/8" deep collar	E2.9SASHW	Reflector with White Painted Flange
	39		277	GRID - 1" deep collar		MBW - matte black
				(other, consult factory)		MWW - matte white

Complete Unit Specification: E2.9SAX-20-PAR20MH-120-GB/E2.9SASHW-MBW
Housing Only: E2.9SAX-20-PAR20MH-120-GB
Reflector Only: E2.9SASHW-MBW

Cat #: