

CYLINDRIX II VERTICAL TRACK

INTERNATIONAL

I-C2TV
HIT-PGJ5

APPLICATION:

Accent and display lighting for Retail, Commercial and Hospitality environments

CONSTRUCTION:

Die-cast lens holder, lamp and ballast housing
PGJ5 pulse rated socket
No exposed wiring
Powder coat paint

OPTICS:

0-90° tilt, 360° rotation
Amerlux optics specifically designed for the CDM-Tm lamp, PGJ5 base
Available in custom tints to tune beam to provide incandescent-like hue

MOUNTING:

Track and canopy

LABELING:

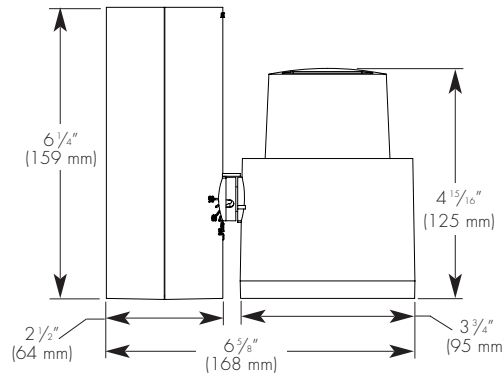
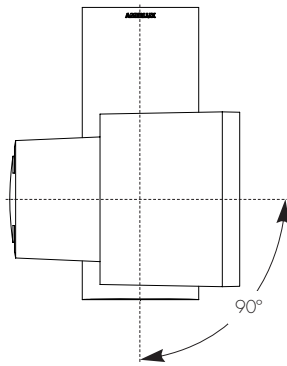
CE CCC pending



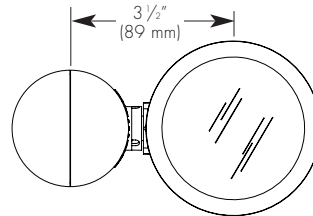
PROJECT:

TYPE:

ECOTEKTURAL
Architectural lighting for sustainable design.



Bottom View



ELECTRICAL

Ballast	Lamping			
	1-20w		1-35w	
	Input watts	Amps*	Input watts	Amps*
Electronic 220v	26	.20	45	.20
240v	24	.16	45	.20

*Data is for open circuit current

1 CDM-Tm PGJ5 base metal halide, 20w and 35w

Amerlux reserves the right to change details that do not affect overall function and performance.



ORDERING INFORMATION:

Model	Wattage	Lamp Type	Ballast	Finish	Mounting	Voltage	Beam Spreads	Options/Accessories	Listing Code
I-C2TV	20 35	HIT-PGJ5 [CDM-Tm Mini MasterColor®]	E - electronic	WT - white texture BT - black texture ST - silver texture _____ (other RAL)	GA100 - Global 3cir C - canopy	220-240	CL - spot, 10° NF - narrow flood, 18° FL - flood, 25° WF - wide flood, 40° SL - linear spread lens, 5° x 55°	GOLD - ferric gold optic reflector DB2690 - DB2690 optic reflector HEX - hexcell louver SN - snoot (1/2" length standard), specify color (WT, BT, ST) CB - cross blade, specify color (BT), black standard	CE CCC

Example: I-C2TV-35-HIT-PGJ5-E-WT-GA100-220-FL-CE

Cat #: