

CYLINDRIX VERTICAL TRACK

INTERNATIONAL

I-CYLTV
MR16-GU5.3

APPLICATION:

Accent and display lighting for Retail, Commercial and Hospitality environments

CONSTRUCTION:

Die-cast lamp and ballast housing
Electronic transformer
GU5.3 bi-pin socket
Powder coat paint

OPTICS:

0-90° tilt, 360° rotation
MR16 bi-pin GU5.3, 50w max
Solite Beam Softening Lens

MOUNTING:

Track and canopy

LABELING:



ACCESSORIES:

Snoot: Spun aluminum 1/2" length standard
Painted finish

Cross Blade: Stamped steel painted black
Cross blade sits in snoot which must be ordered when using cross blade

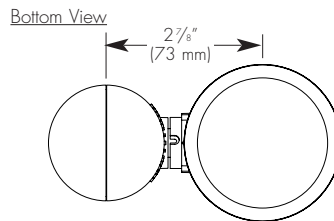
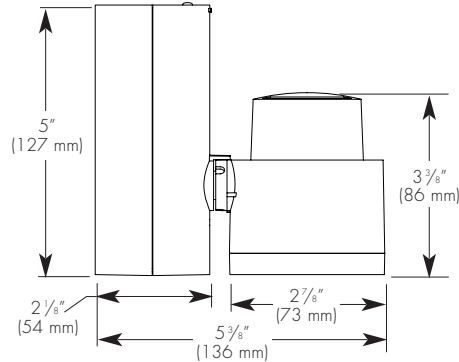
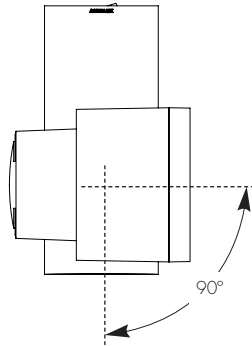


PROJECT :

TYPE :

ECOTECHURAL

Architectural lighting for sustainable design.



ELECTRICAL

Ballast		Lamping 1-50w	
		Input watts	Amps*
Electronic	220v	46.2	.21
	240v	50.4	.21

1 MR16-GU5.3 bi-pin base, 50w max

Amerlux reserves the right to change details that do not affect overall function and performance.

ORDERING INFORMATION:

Model	Lamp Type	Ballast	Finish	Mounting	Voltage	Options/Accessories	Listing Code
I-CYLTV	MR16-GU5.3 (50w max)	E - electronic	WT - white texture BT - black texture ST - silver texture _____ [other RAL]	GA100 - Global 3cir C - canopy	220-240	SN - snoot (1/2" length standard), specify color (WT, BT, ST) CB - cross blade, specify color (BT), black standard	CE CCC

Note: Cross Blade requires snoot be specified

Example: I-CYLTV-MR16-GU5.3-E-WT-GA100-220-240

Cat #: