

CYLINDRIX MULTIPLE RECESSED 1 LIGHT INTERNATIONAL

I-CYLR-1
1LT MR16-GX5.3

APPLICATION:

Accent and display lighting for Retail, Commercial and Hospitality environments

CONSTRUCTION:

Steel ballast mounting plate
Steel upper housing and laser cut trim ring
Die-cast lamp housing
Formed aluminum yoke
Powder coat paint

ELECTICAL:

Electronic transformer, 220-240 primary, 12v secondary
Terminal block for electrical connections
GX5.3 Bi-pin socket

OPTICS:

0-30° x 30° tilt, 360°+ rotation
MR16-GX5.3 12v Bipin base, 50w max
Solite beam softening lens

MOUNTING:

Swing out lugs permit from below mounting into ceiling up to 1 1/2" (38 mm) thick

LABELING:

CE CCC pending

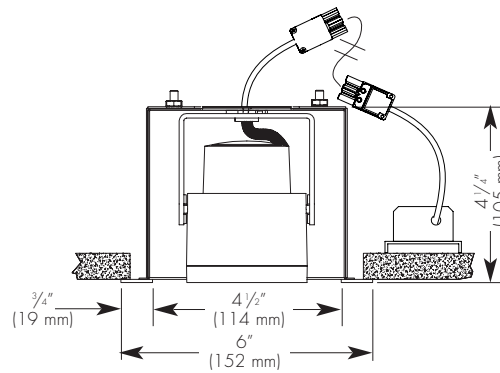
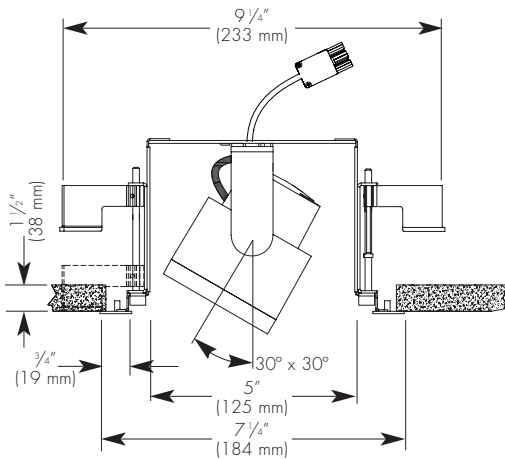


PROJECT:

TYPE:

ecotectural

Architectural lighting for sustainable design.



Ceiling Cut Out Dimension: 6 3/4" x 5 1/2"
(172 mm x 140 mm)

ELECTRICAL

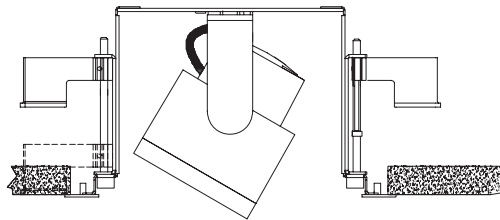
| Ballast | | Lamping 1-50w | |
|------------|------|------------------|-------|
| | | Input watts | Amps* |
| Electronic | 220v | 46.2 | .21 |
| | 240v | 50.4 | .21 |

1 MR16, GX5.3 bi-pin base, 50w max

Amerlux reserves the right to change details that do not affect overall function and performance.

OPTIONAL: TO EXCLUDE GEAR

ORDER LG OPTION AND CHANGE VOLTAGE TO 12V



ORDERING INFORMATION:

| Model | # Lamps | Wattage | Lamp Type | Ballast | Housing/ Head Finish | Voltage | Trim Ring Finish | Options/ Accessories | Listing Code |
|--------|---------|---------|------------|----------------|----------------------------------------------------------------------------------------------|---------|-----------------------|-------------------------------------------------------------------------|--------------|
| I-CYLR | 1 | 50 | MR16-GX5.3 | E - electronic | WT - white texture BT - black texture ST - silver texture - (other RAL) | 220-240 | WT - white texture | To Exclude Gear* LG - less gear (change voltage to 12v) | CE CCC |

Example: I-CYLR-1-50-MR16-GX5.3-E-WT-220-240-WT-CE

*Example: I-CYLR-1-50-MR16-GX5.3-E-WT-12-WT-CE

Cat #: