

CYLINDRIX MULTIPLE RECESSED 3 LIGHT INTERNATIONAL

I-CYLR-3
3LT MR16-GX5.3

APPLICATION:

Accent and display lighting for Retail, Commercial and Hospitality environments

CONSTRUCTION:

Steel ballast mounting plate
Steel upper housing and laser cut trim ring
Die-cast lamp housing
Formed aluminum yoke
Powder coat paint

ELECTICAL:

Electronic transformer, 220-240 primary,
12v secondary
Terminal block for electrical connections
GX5.3 Bi-pin socket

OPTICS:

0-30° x 45° tilt, 360°+ rotation
MR16-GX5.3 12v Bipin base, 50w max
Solite beam softening lens

MOUNTING:

Swing out lugs permit from below mounting into ceiling up to 1 1/2" (38 mm) thick

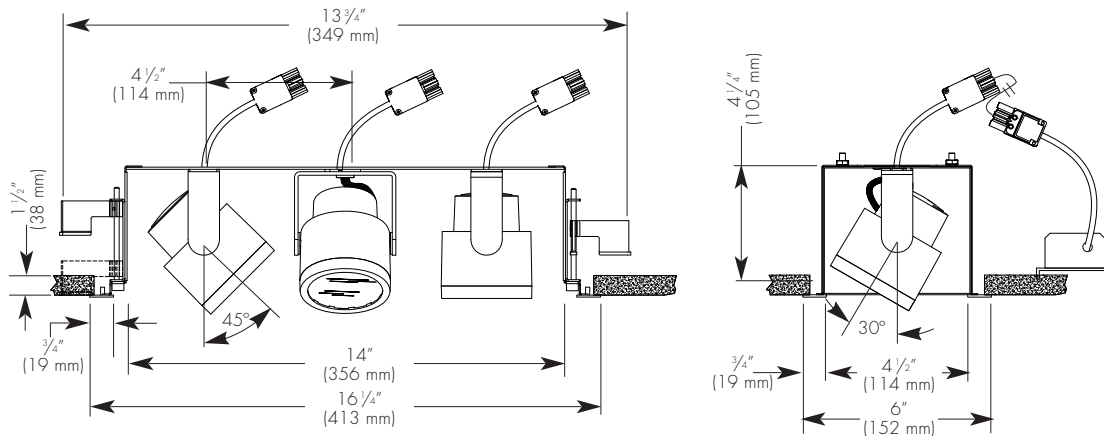
LABELING:

CE CCC pending



PROJECT:

TYPE:



Ceiling Cut Out Dimension: 15 3/4" x 5 1/2"
(400 mm x 140 mm)

ELECTRICAL

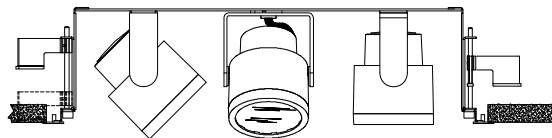
Ballast	Lamping 3-50w	Input	
		watts	Amps*
Electronic	220v	138.6	.63
	240v	151.2	.63

3 MR16, GX5.3 bi-pin base, 50w max

Amerlux reserves the right to change details that do not affect overall function and performance.

OPTIONAL: TO EXCLUDE GEAR

ORDER LG OPTION AND CHANGE VOLTAGE TO 12V



ecotECTURAL

Architectural lighting for sustainable design.



ORDERING INFORMATION:

Model	# Lamps	Wattage	Lamp Type	Ballast	Housing/Head Finish	Voltage	Trim Ring Finish	Options/Accessories	Listing Code
I-CYLR	3	50	MR16-GX5.3	E - electronic	WT - white texture BT - black texture ST - silver texture ____ (other RAL)	220-240	WT - white texture	To Exclude Gear* LG - less gear (change voltage to 12v)	CE CCC

Example: I-CYLR-3-50-MR16-GX5.3-E-WT-220-240-WT-CE

*Example: I-CYLR-3-50-MR16-GX5.3-E-WT-12-WT-CE

Cat #: