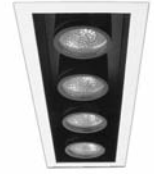


CYLINDRIX MULTIPLE RECESSED 4 LIGHT INTERNATIONAL

I-CYLR-4
4LT MR16-GX5.3



APPLICATION:

Accent and display lighting for Retail, Commercial and Hospitality environments

CONSTRUCTION:

Steel ballast mounting plate
Steel upper housing and laser cut trim ring
Die-cast lamp housing
Formed aluminum yoke
Powder coat paint

ELECTICAL:

Electronic transformer, 220-240 primary,
12v secondary
Terminal block for electrical connections
GX5.3 Bi-pin socket

OPTICS:

0-30° x 45° tilt, 360°+ rotation
MR16-GX5.3 12v Bipin base, 50w max
Solite beam softening lens

MOUNTING:

Swing out lugs permit from below mounting into ceiling up to 1 1/2" (38 mm) thick

LABELING:

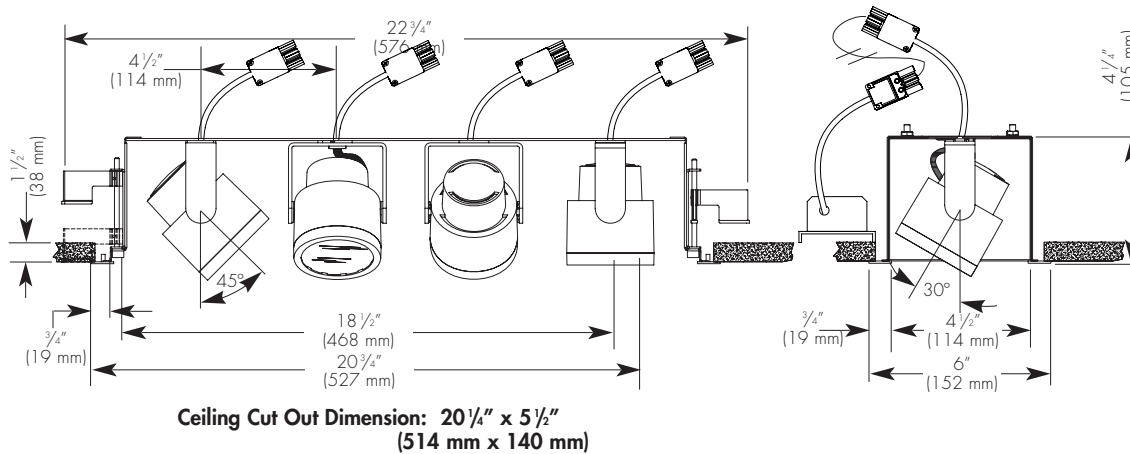
CE CCC pending

PROJECT:

TYPE:

ecotectural

Architectural lighting for sustainable design.



ELECTRICAL

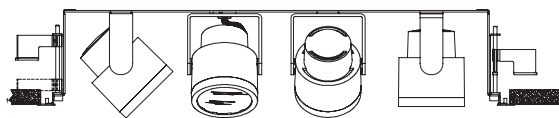
Ballast		Lamping 4-50w	
		Input watts	Amps*
Electronic	220v	184.8	.84
	240v	201.6	.84

4 MR16, GX5.3 bi-pin base, 50w max

Amerlux reserves the right to change details that do not affect overall function and performance.

OPTIONAL: TO EXCLUDE GEAR

ORDER LG OPTION AND CHANGE VOLTAGE TO 12V



ORDERING INFORMATION:

Model	# Lamps	Wattage	Lamp Type	Ballast	Housing/ Head Finish	Voltage	Trim Ring Finish	Options/ Accessories	Listing Code
I-CYLR	4	50	MR16-GX5.3	E - electronic	WT - white texture BT - black texture ST - silver texture _____ (other RAL)	220-240	WT - white texture	To Exclude Gear* LG - less gear (change voltage to 12v)	CE CCC

Example: I-CYLR-4-50-MR16-GX5.3-E-WT-220-240-WT-CE

*Example: I-CYLR-4-50-MR16-GX5.3-E-WT-12-WT-CE

Cat #: