

# CYLINDRIX MULTIPLE SEMI-RECESSED 4 LIGHT INTERNATIONAL

I-CYLSR-4  
4LT MR16-GX5.3

## APPLICATION:

Accent and display lighting for Retail, Commercial and Hospitality environments

## CONSTRUCTION:

Steel ballast mounting plate  
Steel upper housing and laser cut trim ring  
Die-cast lamp housing  
Formed aluminum yoke  
Powder coat paint

## ELECTICAL:

Electronic transformer, 220-240 primary,  
12v secondary  
Terminal block for electrical connections  
GX5.3 Bi-pin socket

## OPTICS:

0-50° x 50° tilt, 360°+ rotation  
MR16-GX5.3 12v Bipin base, 50w max  
Solite beam softening lens

## MOUNTING:

Swing out lugs permit from below mounting into ceiling up to 1 1/2" (38 mm) thick

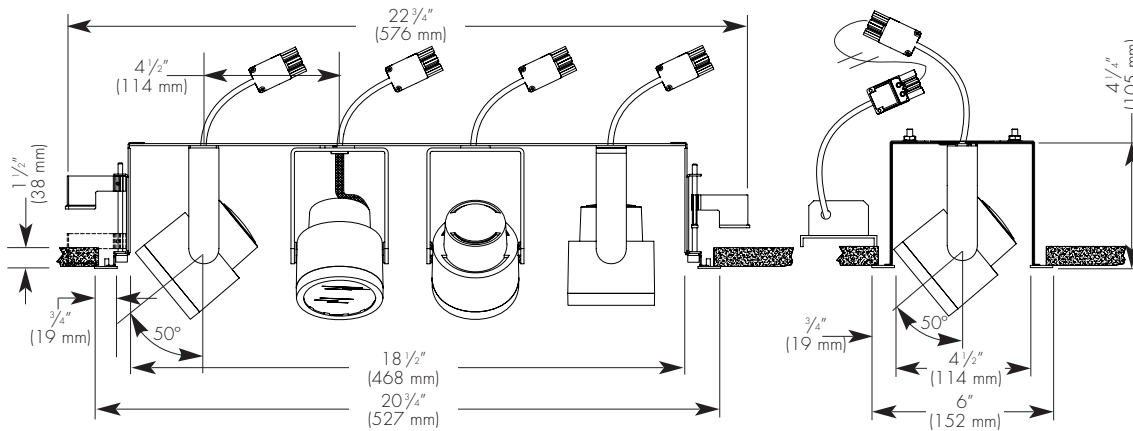
## LABELING:

CE CCC pending



PROJECT:

TYPE:



Ceiling Cut Out Dimension: 20 1/4" x 5 1/2"  
(514 mm x 140 mm)

**ecotECTURAL**

Architectural lighting for sustainable design.



## ELECTRICAL

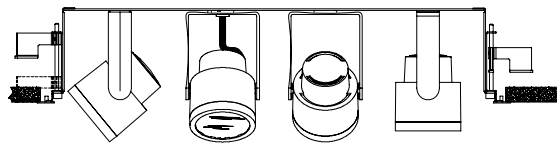
Ballast	Lamping 4-50w	Input	
		watts	Amps*
Electronic	220v	184.8	.84
	240v	201.6	.84

4 MR16, GX5.3 bi-pin base, 50w max

Amerlux reserves the right to change details that do not affect overall function and performance.

## OPTIONAL: TO EXCLUDE GEAR

ORDER LG OPTION AND CHANGE VOLTAGE TO 12V



## ORDERING INFORMATION:

Model	# Lamps	Wattage	Lamp Type	Ballast	Housing/Head Finish	Voltage	Trim Ring Finish	Options/Accessories	Listing Code
I-CYLSR	4	50	MR16-GX5.3	E - electronic	WT - white texture BT - black texture ST - silver texture _____ (other RAL)	220-240	WT - white texture	<b>To Exclude Gear*</b> LG - less gear (change voltage to 12v)	CE CCC

Example: I-CYLSR-4-50-MR16-GX5.3-E-WT-220-240-WT-CE

\*Example: I-CYLSR-4-50-MR16-GX5.3-E-WT-12-WT-CE

Cat #: