

EVOKE 2.9" ROUND ADJUSTABLE INTERNATIONAL

I-E2.9RA
HIT-PGJ5

APPLICATION:

Commercial and retail accent and display lighting

LAMP/BALLAST HOUSING CONSTRUCTION:

Spun aluminum mounting ring with formed steel spring clips (white flange)

OPTICS:

Die-cast aluminum adjustment mechanism provides lockable 0-40° tilt; 360°+ rotation

Available in a variety of beam spreads featuring Amerlux optics specifically designed for the CDM-Tm Mini MasterColor® lamp, PGJ5 base

Available in custom tints to tune beam to provide incandescent-like hue

Glass lens

LAMPING:

CDM-Tm PGJ5 base, 20w and 35w

ELECTRICAL:

Electronic ballast

Terminal block for electrical connections

PGJ5 pulse rated socket

REFLECTOR CONSTRUCTION:

Spun aluminum self flanged reflector with key slot cut

Variety of anodized aperture finishes with clear or white flange

MOUNTING:

Spring steel mounting clips allow installation from below

Max. ceiling thickness - 1"

LABELING:

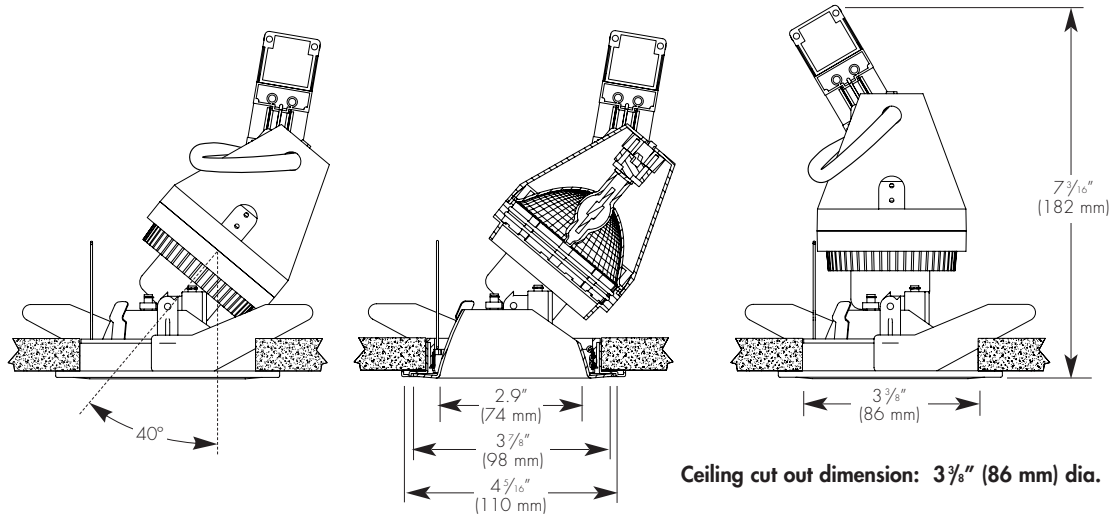
CE CCC pending



PROJECT:

TYPE:

ECOTECHURAL
Architectural lighting for sustainable design.



Ceiling cut out dimension: 3 3/8" (86 mm) dia.

ELECTRICAL

Ballast	Lamping			
	1-20w		1-35w	
	Input watts	Amps*	Input watts	Amps*
Electronic 220v	26	.20	45	.20
240v	24	.16	45	.20

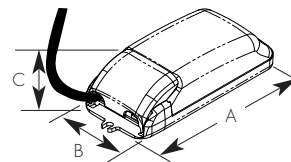
*Data is for open circuit current

1 CDM-Tm PGJ5 base metal halide, 20w and 35w

GEAR (STANDARD)

TO EXCLUDE GEAR - ORDER LG OPTION
(BALLAST/TRANSFORMER BY OTHERS)

	20w/35w
A	7 1/2" (190mm)
B	1 3/4" (43mm)
C	1 1/4" (32mm)



Amerlux reserves the right to change details that do not affect overall function and performance.

ORDERING INFORMATION:

Model #	Wattage	Lamp Type	Voltage	Beam Spread	Aperture Finish	Options/Accessories	Listing Code
I-E2.9RA	20 35	HIT-PGJ5 (CDM-Tm Mini MasterColor®)	220-240	CL - spot, 12° NF - narrow flood, 18° FL - flood, 25° WF - wide flood, 40° SL - linear spread, 5°x55°	Reflector with <u>White Painted Flange</u> SDW - semi-diffused clear GDW - specular gold BKW - specular black MWWW - matte white Reflector with <u>Clear Flange</u> (flange finish matches cone finish) SDC - semi-diffused clear GDC - specular gold BKC - specular black	DB2690 - DB2690 optic reflector GOLD - ferric gold optic reflector HEX20 - hexcell louver SOL20 - beam softening lens To Exclude Gear LG - less gear	CE CCC

Example: I-E2.9RA-20-HIT-PGJ5-220-240-FL-SDW-CE

Cat #:

EVOKE 2.9" ROUND ADJUSTABLE INTERNATIONAL

I-E2.9RA
HIT-PGJ5



TYPE :

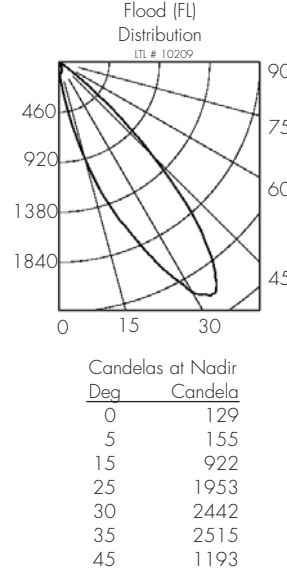
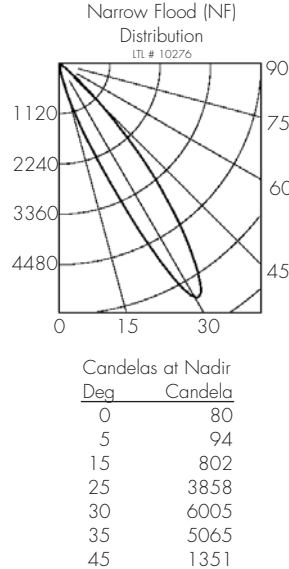
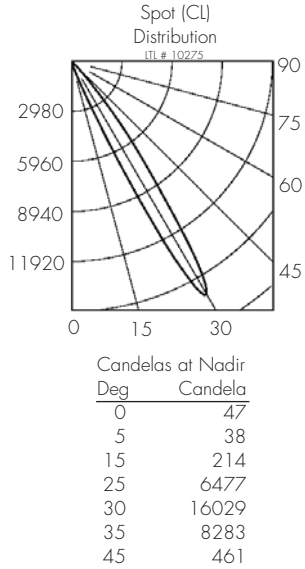
ecotECTURAL
Architectural lighting for sustainable design.



FIXTURE DATA: Test run with standard clear reflector. For gold, multiply by 0.9
For 39w data, multiply by 1.8

Complete photometric data (.ies format) available upon request.

20W HIT-PGJ5 MH



APPLICATION DATA:

Notes and Definitions:

Beam spread is to 50% center beam candlepower (CBCP).

D=Distance to floor or wall.

FC=Footcandles on floor or wall at center beam aiming location.

L=Effective Visual Beam length in feet (50% of maximum footcandle level).

W=Effective Visual Beam width in feet (50% of maximum footcandle level).

CB=Distance across or down to center beam location.



	30° Aiming Angle Horizontal Footcandles/Lux					30° Aiming Angle Vertical Footcandles/Lux				
	D	FC/LUX	L	W	CB	D	FC/LUX	L	W	CB
SPOT	5.0(ft)	388	1.2	1.2	3.0	3.0(ft)	233	2.1	1.2	5.0
	1.52(m)	4174	.36	.36	.92	.92(m)	2501	.65	.37	1.52
	7.5(ft)	174	1.9	1.7	4.0	4.0(ft)	122	2.9	1.6	7.0
	2.29(m)	1870	.57	.53	1.22	1.22(m)	1310	.89	.50	2.13
	10.0(ft)	97	2.4	2.4	6.0	5.0(ft)	83	3.5	1.9	8.0
	3.05(m)	1043	.73	.73	1.83	1.52(m)	894	1.06	.58	2.44
	12.5(ft)	67	2.8	2.9	7.0	6.0(ft)	58	4.2	2.4	10.0
	3.81(m)	723	.85	.88	2.13	1.83(m)	626	1.27	.73	3.05
NARROW FLOOD	D	FC	L	W	CB	D	FC	L	W	CB
	5.0(ft)	150	2.0	1.5	3.0	3.0(ft)	105	2.9	1.4	4.0
	1.52(m)	1613	.60	.45	.92	.92(m)	1133	.87	.41	1.22
	7.5(ft)	67	3.0	2.1	4.0	4.0(ft)	58	3.8	1.8	6.0
	2.29(m)	706	.92	.65	1.22	1.22(m)	627	1.17	.56	1.83
	10.0(ft)	38	3.9	2.9	6.0	5.0(ft)	38	4.7	2.3	7.0
	3.05(m)	403	1.21	.89	1.83	1.52(m)	412	1.43	.69	2.13
	12.5(ft)	25	4.8	3.6	7.0	6.0(ft)	26	5.7	2.8	8.0
3.81(m)	264	1.47	1.09	2.13	1.83(m)	284	1.74	.84	2.44	
FLOOD	D	FC	L	W	CB	D	FC	L	W	CB
	5.0(ft)	63	3.1	2.4	3.0	3.0(ft)	57	3.0	1.9	4.0
	1.52(m)	673	.94	.75	.92	.92(m)	612	.91	.57	1.22
	7.5(ft)	28	4.7	3.7	4.0	4.0(ft)	33	3.8	2.4	5.0
	2.29(m)	297	1.43	1.12	1.22	1.22(m)	358	1.15	.73	1.52
	10.0(ft)	16	6.2	4.9	6.0	5.0(ft)	22	4.6	2.9	6.0
	3.05(m)	168	1.89	1.49	1.83	1.52(m)	231	1.40	.90	1.83
	12.5(ft)	10	7.6	6.0	7.0	6.0(ft)	15	5.5	3.6	7.0
3.81(m)	109	2.33	1.83	2.14	1.83(m)	159	1.69	1.09	2.13	

