

# EVOKE 2.9" ROUND DOWNLIGHT

## INTERNATIONAL

I-E 2.9RD  
HIT-PGJ5

### APPLICATION:

Commercial and retail accent and display lighting

### LAMP/BALLAST HOUSING CONSTRUCTION:

Spun aluminum mounting ring with formed steel spring clips (white flange)

### OPTICS:

Die-cast lamp housing, with twist in/out lens holder  
Available in a variety of beam spreads featuring Amerlux optics specifically designed for the CDM-Tm Mini MasterColor® lamp, PGJ5 base  
Available in custom tints to tune beam to provide incandescent-like hue  
Glass lens

### LAMPING:

CDM-Tm PGJ5 base, 20w and 35w

### ELECTRICAL:

Electronic ballast  
Terminal block for electrical connections  
PGJ5 pulse rated socket

### REFLECTOR CONSTRUCTION:

Spun aluminum self flanged reflector  
Variety of anodized aperture finishes with clear or white flange  
Steel mounting ring with torsion spring

### MOUNTING:

Spring steel mounting clips allow installation from below  
Max. ceiling thickness - 1"

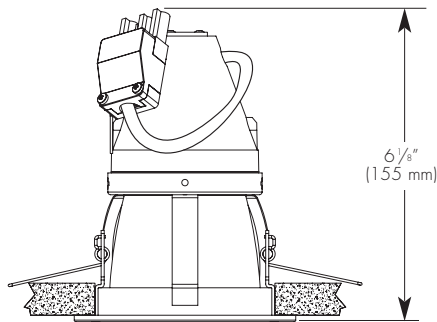
### LABELING:

CE CCC pending

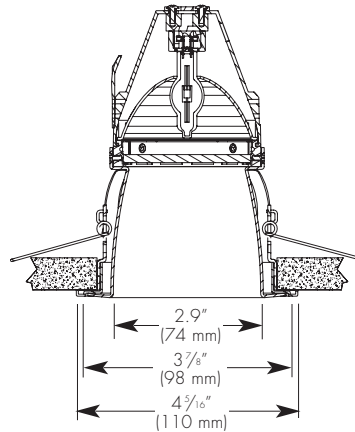


PROJECT:

TYPE:



Ceiling cut out dimension: 3 3/4" (96 mm) dia.



**ECOTECHURAL**  
Architectural lighting for sustainable design.



### ELECTRICAL

Ballast	220v	Lamping 1-20w		1-35w	
		Input watts	Amps*	Input watts	Amps*
Electronic	220v	26	.20	45	.20
	240v	24	.16	45	.20

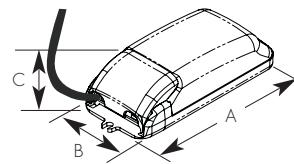
\*Data is for open circuit current

1 CDM-Tm PGJ5 base metal halide, 20w and 35w

### GEAR (STANDARD)

TO EXCLUDE GEAR - ORDER LG OPTION  
(BALLAST/TRANSFORMER BY OTHERS)

	20w/35w
A	7 1/2" (190mm)
B	1 3/4" (43mm)
C	1 1/4" (32mm)



Amerlux reserves the right to change details that do not affect overall function and performance.

### ORDERING INFORMATION:

Model #	Wattage	Lamp Type	Voltage	Beam Spread	Aperture Finish	Options/Accessories	Listing Code
I-E2.9RD	20 35	HIT-PGJ5 (CDM-Tm Mini MasterColor®)	220-240	CL - spot, 12° NF - narrow flood, 18° FL - flood, 25° WF - wide flood, 40° SL - linear spread, 5°x55°	<u>Reflector with White Painted Flange</u> SDW - semi-diffused clear GDW - specular gold BKW - specular black MWW - matte white  <u>Reflector with Clear Flange</u> (flange finish matches cone finish) SDC - semi-diffused clear GDC - specular gold BKC - specular black	DB2690 - DB2690 optic reflector GOLD - ferric gold optic reflector HEX20 - hexcell louver SOL20 - beam softening lens  <b>To Exclude Gear</b> LG - less gear	CE CCC

Example: I-E2.9RD-20-HIT-PGJ5-220-240-FL-SDW-CE

Cat #:

# EVOKE 2.9" ROUND DOWNLIGHT

## INTERNATIONAL

I-E2.9RD  
HIT-PGJ5



TYPE:

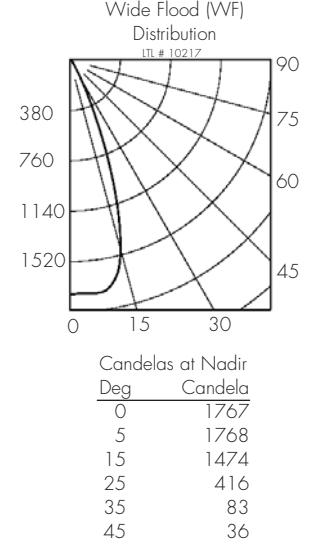
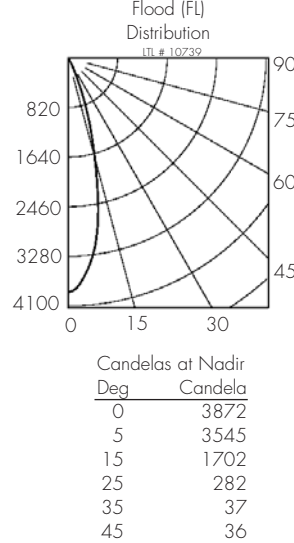
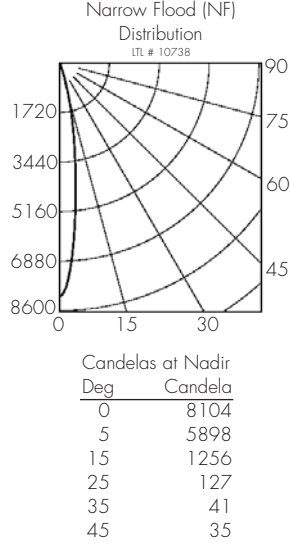
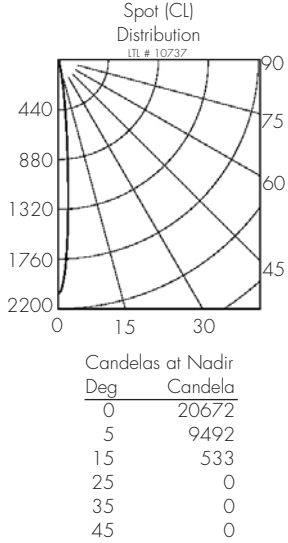
**ecOTEKTURAL**  
Architectural lighting for sustainable design.



**FIXTURE DATA:** Test run with standard clear reflector. For gold, multiply by 0.9  
For 39w data, multiply by 1.8

Complete photometric data (.ies format) available upon request.

**20W HIT-PGJ5 MH**



**APPLICATION DATA:**



	D	FC/LUX	L	W
SPOT	5.0(ft)	827	1.1	1.1
	1.52(m)	8871	.33	.33
	7.5(ft)	368	1.3	1.3
	2.29(m)	3952	.39	.39
	10.0(ft)	207	1.6	1.6
	3.05(m)	2224	.48	.48
	12.5(ft)	132	2.0	2.0
	3.81(m)	1423	.63	.63
NARROW FLOOD	5.0(ft)	324	1.4	1.4
	1.52(m)	3477	.43	.43
	7.5(ft)	144	2.1	2.1
	2.29(m)	1549	.63	.63
	10.0(ft)	81	2.9	2.9
	3.05(m)	872	.87	.87
	12.5(ft)	52	3.5	3.5
	3.81(m)	558	1.06	1.06
FLOOD	5.0(ft)	155	2.4	2.4
	1.52(m)	1665	.75	.75
	7.5(ft)	68	3.5	3.5
	2.29(m)	740	1.06	1.06
	10.0(ft)	39	4.8	4.8
	3.05(m)	417	1.45	1.45
	12.5(ft)	25	5.8	5.8
	3.81(m)	267	1.78	1.78
WIDE FLOOD	5.0(ft)	71	3.4	3.4
	1.52(m)	761	1.03	1.03
	7.5(ft)	31	5.1	5.1
	2.29(m)	338	1.58	1.58
	10.0(ft)	18	6.9	6.9
	3.05(m)	190	2.11	2.11
	12.5(ft)	11	8.6	8.6
	3.81(m)	122	2.63	2.63

**Notes and Definitions:**

Beam spread is to 50% center beam candlepower (CBCP).  
 D=Distance to floor or wall.  
 FC=Footcandles on floor or wall at center beam aiming location.  
 L=Effective Visual Beam length in feet (50% of maximum footcandle level).  
 W=Effective Visual Beam width in feet (50% of maximum footcandle level).  
 CB=Distance across or down to center beam location.

