

EVOKE 2.9" ROUND DOWNLIGHT

INTERNATIONAL

I-E2.9RD
HIT-GU6.5

APPLICATION:

Commercial and retail accent and display lighting

LAMP/BALLAST HOUSING CONSTRUCTION:

Spun aluminum mounting ring with formed steel spring clips (white flange)

OPTICS:

Die-cast lamp housing, with twist in/out lens holder
Available in a variety of beam spreads featuring Amerlux optics specifically designed for the T4GU6.5 lamp

Available in custom tints to tune beam to provide incandescent-like hue
Glass lens

LAMPING:

HIT-GU6.5 base, 20w and 35w

ELECTRICAL:

Electronic ballast
Terminal block for electrical connections
GU6.5 TAL pulse rated socket

REFLECTOR CONSTRUCTION:

Spun aluminum self flanged reflector
Variety of anodized aperture finishes with clear or white flange
Steel mounting ring with torsion spring

MOUNTING:

Spring steel mounting clips allow installation from below
Max. ceiling thickness - 1"

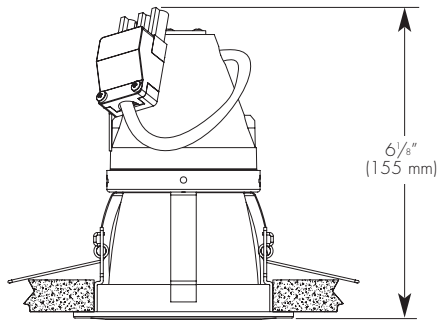
LABELING:

CE CCC pending

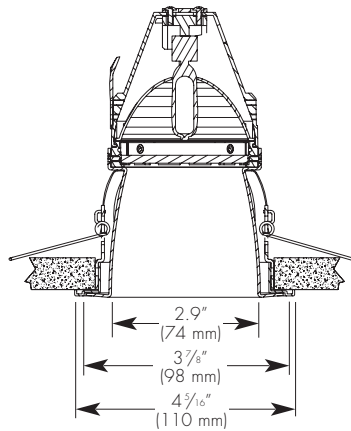


PROJECT:

TYPE:



Ceiling cut out dimension: 3 3/4" (96 mm) dia.



ELECTRICAL

Ballast	Lamping				
	1-20w		1-35w		
	Input watts	Amps*	Input watts	Amps*	
Electronic	220v	24	.19	44	.20
	240v	24	.15	43	.18

*Data is for open circuit current

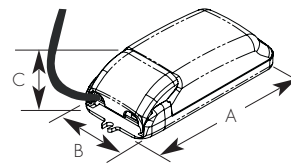
HIT-GU6.5 base metal halide, 20w and 35w

Amerlux reserves the right to change details that do not affect overall function and performance.

GEAR (STANDARD)

TO EXCLUDE GEAR - ORDER LG OPTION
(BALLAST/TRANSFORMER BY OTHERS)

	20w	35w
A	7 1/16" (179mm)	5 1/2" (141mm)
B	1 3/4" (43mm)	2 11/16" (67mm)
C	1 3/16" (30mm)	1 1/4" (32mm)



ORDERING INFORMATION:

ECOTECHURAL
Architectural lighting for sustainable design.



AMERLUX
LIGHTING SOLUTIONS
ADAPT. ABILITY.™

Model #	Wattage	Lamp Type	Voltage	Beam Spread	Aperture Finish	Options/Accessories	Listing Code
I-E2.9RD	20 35	HIT-GU6.5 (T4GU6.5)	220-240	CL - spot, 12° NF - narrow flood, 18° FL - flood, 25° WF - wide flood, 40° SL - linear spread, 5°x55°	<u>Reflector with White Painted Flange</u> SDW - semi-diffused clear GDW - specular gold BKW - specular black MWW - matte white <u>Reflector with Clear Flange</u> (flange finish matches cone finish) SDC - semi-diffused clear GDC - specular gold BKC - specular black	DB2690 - DB2690 optic reflector GOLD - ferric gold optic reflector HEX20 - hexcell louver SOL20 - beam softening lens To Exclude Gear LG - less gear	CE CCC

Example: I-E2.9RD-20-HIT-GU6.5-220-240-FL-SDW-CE

Cat #:

EVOKE 2.9" ROUND DOWNLIGHT

INTERNATIONAL

I-E2.9RD
T4GU6.5



TYPE :

ecOTECTURAL
Architectural lighting for sustainable design.

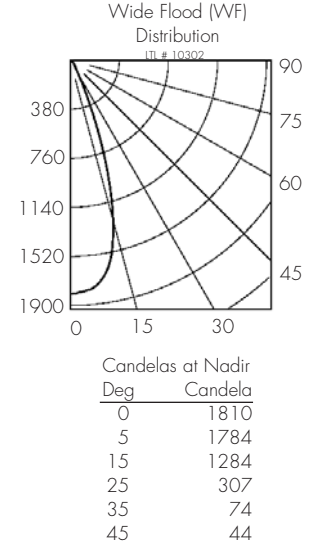
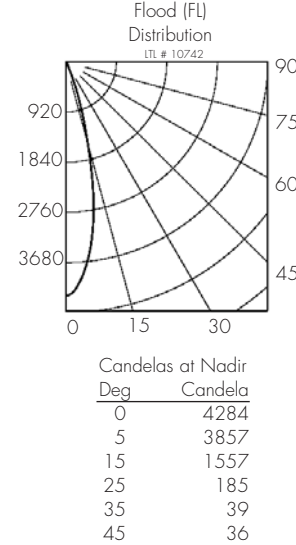
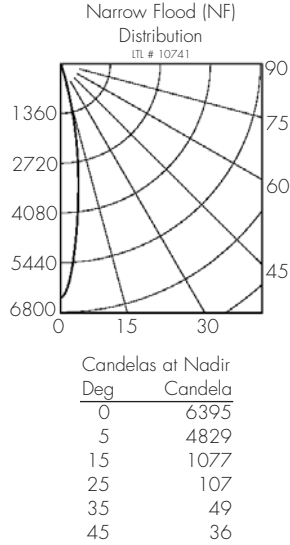
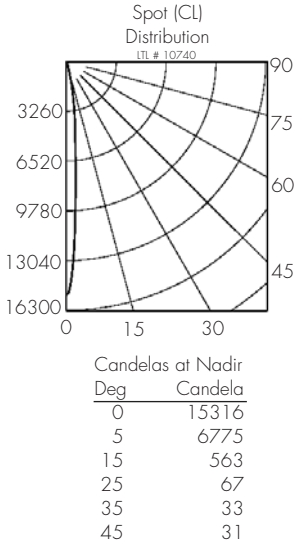


FIXTURE DATA:

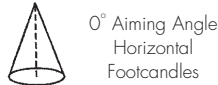
Test run with standard clear reflector. For gold, multiply by 0.9; For sunrise, multiply by .87
For 39w data, multiply by 2.1

Complete photometric data (.ies format) available upon request.

20W T4GU6.5 MH



APPLICATION DATA:



	D	FC	L	W
SPOT	5.0(ft)	613	1.1	1.1
	1.52(m)	6565	.34	.34
	7.5(ft)	272	1.4	1.4
	2.29(m)	2928	.41	.41
	10.0(ft)	153	1.6	1.6
	3.05(m)	1648	.49	.49
	12.5(ft)	98	1.9	1.9
3.81(m)	1055	.59	.59	
NARROW FLOOD	D	FC	L	W
	5.0(ft)	256	1.5	1.5
	1.52(m)	2744	.46	.46
	7.5(ft)	114	2.3	2.3
	2.29(m)	1223	.70	.70
	10.0(ft)	64	3.1	3.1
	3.05(m)	688	.94	.94
12.5(ft)	41	3.8	3.8	
3.81(m)	440	1.15	1.15	
FLOOD	D	FC	L	W
	5.0(ft)	171	2.3	2.3
	1.52(m)	1842	.67	.67
	7.5(ft)	76	3.2	3.2
	2.29(m)	819	.99	.99
	10.0(ft)	43	4.4	4.4
	3.05(m)	461	1.34	1.34
12.5(ft)	27	5.4	5.4	
3.81(m)	295	1.65	1.65	
WIDE FLOOD	D	FC	L	W
	5.0(ft)	72	3.1	3.1
	1.52(m)	779	.95	.95
	7.5(ft)	32	4.7	4.7
	2.29(m)	346	1.44	1.44
	10.0(ft)	18	6.3	6.3
	3.05(m)	195	1.91	1.91
12.5(ft)	12	7.8	7.8	
3.81(m)	125	2.37	2.37	

Notes and Definitions:

Beam spread is to 50% center beam candlepower (CBCP).
 D=Distance to floor or wall.
 FC=Footcandles on floor or wall at center beam aiming location.
 L=Effective Visual Beam length in feet (50% of maximum footcandle level).
 W=Effective Visual Beam width in feet (50% of maximum footcandle level).
 CB=Distance across or down to center beam location.

