

EVOKE 2.9" ROUND DOWNLIGHT

INTERNATIONAL

I-E2.9RD
MR16-GX5.3

APPLICATION:

Commercial and retail accent and display lighting

LAMP/BALLAST HOUSING CONSTRUCTION:

Spun aluminum mounting ring with formed steel spring clips (white flange)

OPTICS:

Die-cast aluminum lamp ring, accepts up to 2 accessories
Solite lens

ELECTRICAL:

75W electronic transformer, 220-240v primary
12v secondary
GX5.3 bi-pin socket
Terminal connector for easy wiring

REFLECTOR CONSTRUCTION:

Spun aluminum self flanged reflector
Variety of anodized aperture finishes with clear or white flange
Steel mounting ring with torsion spring

MOUNTING:

Spring steel mounting clips allow installation from below
Max. ceiling thickness - 1"

LABELING:

CE CCC pending

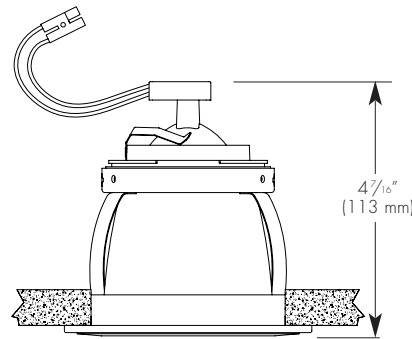
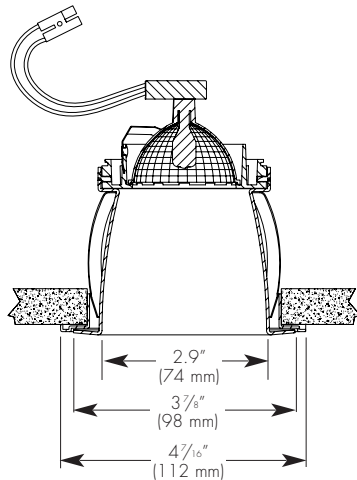
LAMPING:

MR16-GX5.3 halogen, 50w max., 12v.



PROJECT:

TYPE:



Ceiling cut out dimension: 3 3/8" (86 mm) dia.

ECOTECHURAL
Architectural lighting for sustainable design.



ELECTRICAL

| Ballast | Input volts | Lamping 1-50w | |
|------------|----------------|------------------|-------|
| | | Input watts | Amps* |
| Electronic | 220v | 46.2 | .21 |
| | 240v | 50.4 | .21 |

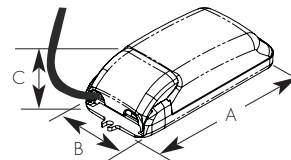
1 MR16, GX5.3 bi-pin base, 50w max

Amerlux reserves the right to change details that do not affect overall function and performance.

GEAR INCLUDED

TO EXCLUDE GEAR -
ORDER LG OPTION AND CHANGE VOLTAGE TO 12
(BALLAST/TRANSFORMER SUPPLIED BY OTHERS)

| | 50w |
|---|-----------------|
| A | 4 5/16" (108mm) |
| B | 2 7/16" (51mm) |
| C | 1 3/16" (30mm) |



ORDERING INFORMATION:

| Model # | Lamp Type | Voltage | Aperture Finish | Options/Accessories | Listing Code |
|----------|-------------------------|---------|---|---|--------------|
| I-E2.9RD | MR16-GX5.3 (50w max) | 220-240 | <u>Reflector with White Painted Flange</u> SDW - semi-diffused clear GDW - specular gold BKW - specular black MWWW - matte white <u>Reflector with Clear Flange</u> (flange finish matches cone finish) SDC - semi-diffused clear GDC - specular gold BKC - specular black | HEX16 - hexcell louver SPR16 - linear spread lens (5"x5.5") <u>To Exclude Gear</u> LG - less gear (change voltage to 12v) Example: I-E2.9RD-MR16-GX5.3-12-SDW-LG-CE | CE CCC |

Example: I-E2.9RD-MR16-GX5.3-220-240-SDW-CE

Cat #:

EVOKE 2.9" ROUND DOWNLIGHT

INTERNATIONAL

I-E2.9RD
MR16-GX5.3



TYPE:

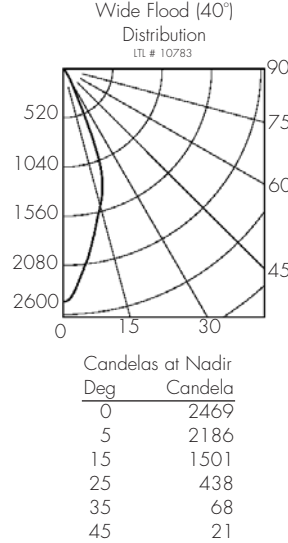
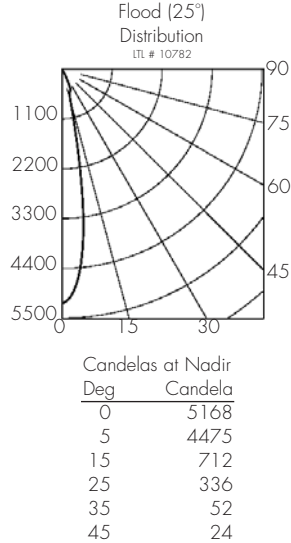
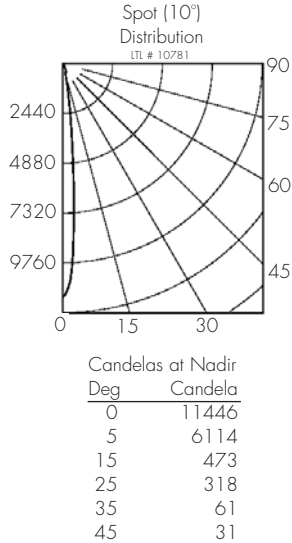
ecotECTURAL
Architectural lighting for sustainable design.



FIXTURE DATA:

Complete photometric data (.ies format) available upon request.

50W MR16



APPLICATION DATA:

Notes and Definitions:

Beam spread is to 50% center beam candlepower (CBCP).

D=Distance to floor or wall.

FC=Footcandles on floor or wall at center beam aiming location.

L=Effective Visual Beam length in feet (50% of maximum footcandle level).

W=Effective Visual Beam width in feet (50% of maximum footcandle level).

CB=Distance across or down to center beam location.



| SPOT | D | FC/LUX | L | W |
|----------|---------|--------|-----|-----|
| | 5.0(ft) | 458 | 1.1 | 1.1 |
| 1.52(m) | 4915 | .34 | .34 | |
| 7.5(ft) | 204 | 1.4 | 1.4 | |
| 2.29(m) | 2188 | .42 | .42 | |
| 10.0(ft) | 115 | 1.8 | 1.8 | |
| 3.05(m) | 1231 | .55 | .55 | |
| 12.5(ft) | 73 | 2.4 | 2.4 | |
| 3.81(m) | 788 | .74 | .74 | |

| FLOOD | D | FC/LUX | L | W |
|----------|---------|--------|------|-----|
| | 5.0(ft) | 207 | 1.5 | 1.5 |
| 1.52(m) | 2222 | .45 | .45 | |
| 7.5(ft) | 92 | 2.6 | 2.6 | |
| 2.29(m) | 988 | .80 | .80 | |
| 10.0(ft) | 52 | 3.3 | 3.3 | |
| 3.05(m) | 556 | 1.0 | 1.0 | |
| 12.5(ft) | 33 | 4.1 | 4.1 | |
| 3.81(m) | 356 | 1.26 | 1.26 | |

| WIDE FLOOD | D | FC/LUX | L | W |
|------------|---------|--------|------|-----|
| | 5.0(ft) | 99 | 2.9 | 2.9 |
| 1.52(m) | 1061 | .88 | .88 | |
| 7.5(ft) | 44 | 4.4 | 4.4 | |
| 2.29(m) | 472 | 1.34 | 1.34 | |
| 10.0(ft) | 25 | 6.0 | 6.0 | |
| 3.05(m) | 266 | 1.83 | 1.83 | |
| 12.5(ft) | 16 | 7.5 | 7.5 | |
| 3.81(m) | 170 | 2.29 | 2.29 | |

