

MINI CAVALETTO RECESSED ADJUSTABLE WALL WASH INTERNATIONAL

I-MCAV
HIT-G12

APPLICATION:

Retail and commercial wall wash applications

MOUNTING:

For use in T-grid or sheet rock ceilings

CONSTRUCTION:

Die-cast aluminum lamp housing and base
Captive lamp housing door with locking knob permits handsfree relamping
Formed steel spring clips
Powder coat paint

LABELING:

CE CCC pending

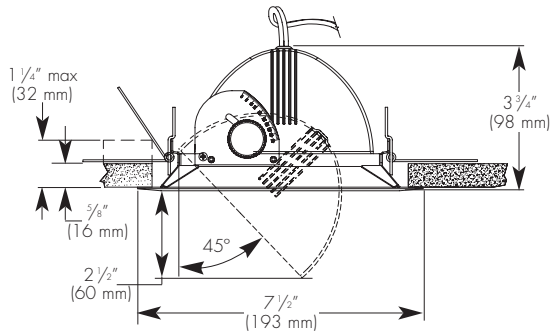
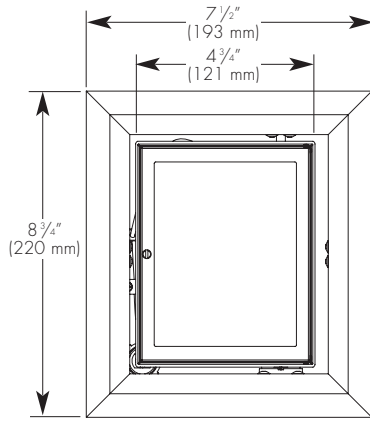


PROJECT:

TYPE:

OPTICS:

High performance specular aluminum reflector, specially designed for HIT-G12 metal halide lamps
45° tilt
Vertical aiming angle indicator
Locking vertical adjustment



Ceiling cut out dimension: 6 13/16" x 8"
(173 mm x 203 mm)

173x203 45°

ELECTRICAL

Ballast	220v	Lamping 35w		70w	
		Input watts	Amps*	Input watts	Amps*
Electronic	220v	44	.20	79.2	.36
	240v	43.2	.18	81.6	.34

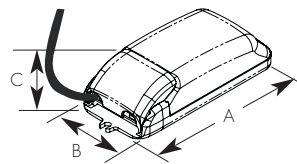
*Data is for open circuit current
HIT-G12 base metal halide, 35w and 70w

Amerlux reserves the right to change details that do not affect overall function and performance.

GEAR (STANDARD)

TO EXCLUDE GEAR - ORDER LG OPTION
(BALLAST/TRANSFORMER BY OTHERS)

	35w/70w
A	8 13/16" (224mm)
B	2 3/8" (60mm)
C	1 1/2" (36mm)



ORDERING INFORMATION:

Model	Wattage	Lamp Type	Ballast	Finish	Voltage	Beam Spreads	Options/Accessories	Listing Code
I-MCAV	35 70	HIT-G12 (T6)	E - electronic	WT - white texture	220-240	WW - wall wash	VISOR - angled visor provides additional shielding and beam cut off, specify finish CB - cross blade, 1" deep	CE CCC

To Exclude Gear
LG - less gear

Example: I-MCAV-35-HIT-G12-EW-220-240-WW-CE

Cat #:

MINI CAVALETTO RECESSED ADJUSTABLE WALL WASH INTERNATIONAL

I-MCAV
HIT-G12



TYPE :



FIXTURE DATA: For 70w data, multiply by 1.9

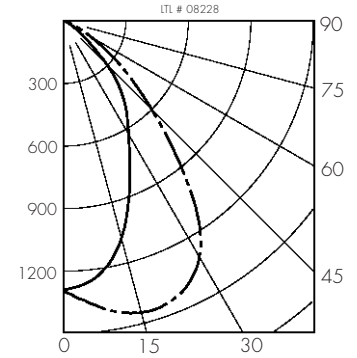
Complete photometric data (.ies format) available upon request.

MINI CAVALETTO HIT-G12 WALL WASH 35W
Lamp: Philips CDM/35/T6/830 Lamp Lumens: 3400
Track Mounting

ZONAL LUMEN SUMMARY

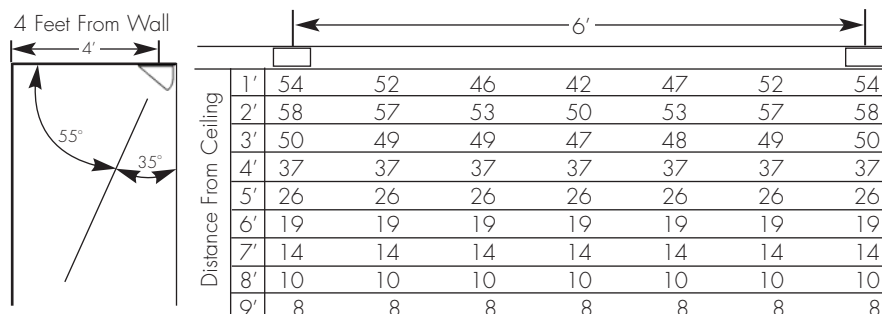
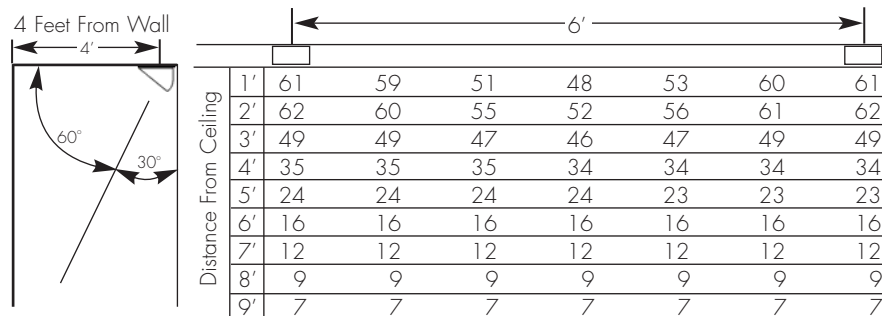
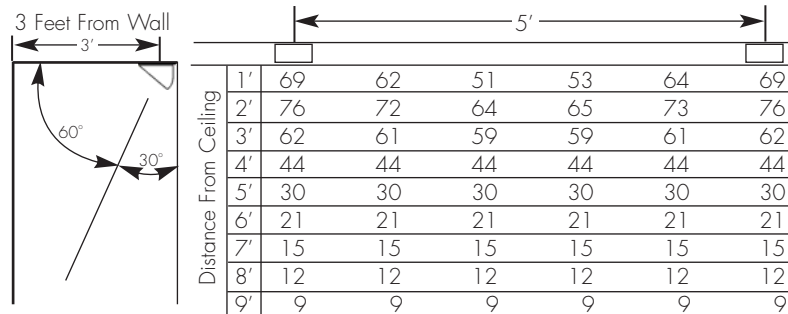
Zone	Lumens	%Lamp	%Fixt
0-30	929	27.3	49.0
0-40	1375	40.4	72.5
0-60	1829	53.8	96.4
0-90	1896	55.8	100.0
90-180	0	0.0	0.0
0-180	1896	55.8	100.0

Total Luminaire Efficiency = 55.8%



APPLICATION DATA:

Footcandles on Wall



Footcandles are average and rounded off.
Data for multiple units are based on a minimum of five units.