

# CYLINDRIX II VERTICAL TRACK

INTERNATIONAL

I-C2TV  
HIT-GU6.5

**APPLICATION:**

Accent and display lighting for Retail, Commercial and Hospitality environments

**CONSTRUCTION:**

Die-cast lens holder, lamp and ballast housing  
GU6.5 TAL pulse rated socket  
No exposed wiring  
Powder coat paint

**OPTICS:**

0-90° tilt, 360° rotation  
Amerlux optics specifically designed for the HIT-GU6.5 lamp  
Available in custom tints to tune beam to provide incandescent-like hue

**MOUNTING:**

Track and canopy

**LABELING:**

CE CCC pending

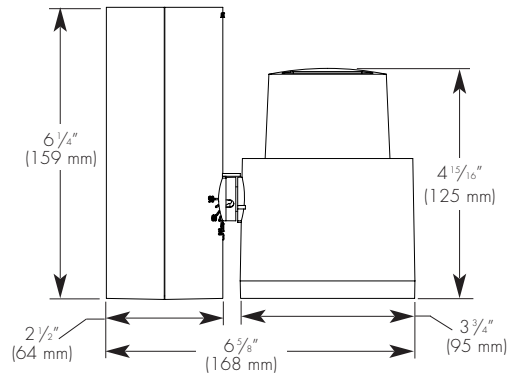
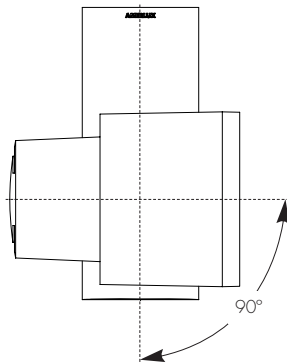


PROJECT:

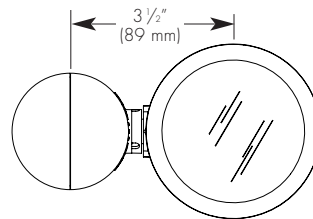
TYPE:

**ecotECTURAL**

Architectural lighting for sustainable design.



Bottom View



**ELECTRICAL**

Ballast	220v	Lamping			
		1-20w		1-35w	
		Input watts	Amps*	Input watts	Amps*
Electronic	220v	24	.19	44	.20
	240v	24	.15	43	.20

\*Data is for open circuit current  
1 HIT-GU6.5 base metal halide, 20w and 35w

Amerlux reserves the right to change details that do not affect overall function and performance.

**ORDERING INFORMATION:**

Model	Wattage	Lamp Type	Ballast	Finish	Mounting	Voltage	Beam Spreads	Options/ Accessories	Listing Code
I-C2TV	20 35	HIT-GU6.5 (T4GU6.5)	E - electronic	WT - white texture BT - black texture ST - silver texture - - - (other RAL)	GA100 - Global 3cir C - canopy	220-240	CL - spot, 10° NF - narrow flood, 18° FL - flood, 25° WF - wide flood, 40° SL - linear spread lens, 5° x 55°	GOLD - ferric gold optic reflector DB2690 - DB2690 optic reflector HEX - hexcell louver SN - snoot (1/2" length standard), specify color (WT, BT, ST) CB - cross blade, specify color (BT), black standard	CE CCC

Example: I-C2TV-20-HIT-GU6.5-E-WT-GA100-220-240-FL-CE

Cat #:

