

# EVOKE 2.9" INSULATED CEILING

## ROUND PINHOLE ADJUSTABLE TRIMLESS

E2.9RICATTL/  
E2.9RPATL  
MR16



### APPLICATION:

Residential accent and general lighting

### HOUSING CONSTRUCTION:

0.050 aluminum and 20 ga. steel housing  
Powder coat matte black  
Formed aperture plate with 1/2" lip  
Cast aluminum plaster ring with perforated flange  
Adjustable mounting bars for (wood) joist construction  
Thermally protected  
GX5.3 Bi-Pin base

### OPTICS:

Cam adjustment mechanism provides lockable 0-35° tilt; 360°+ rotation  
Spun aluminum lamp holder with spring steel retaining clip, snaps in/out for easy relamping  
Accepts up to 2 accessories  
Silk screened fixture positions provide exact setting for downlight, adjustable or wall wash reflector trims  
Solite lens (standard)

### REFLECTOR CONSTRUCTION:

Die-cast aluminum faceplate painted matte white  
Die-cast knife edge baffle painted matte black  
Spring steel mounting clips

### MOUNTING:

For use in sheet rock ceilings  
Max. ceiling thickness - 1"

### LABELING:

cUL listed  
Damp location  
No through branch wiring for IC at 50w  
Complies with Air Leakage requirements as stated in the Model Energy Code and Washington State Energy Code

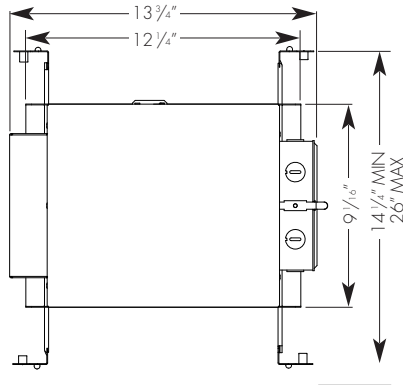
### LAMPING:

MR16 halogen, 50w max., 12v.

PROJECT:

TYPE:

**ecotECTURAL**  
Architectural lighting for sustainable design.



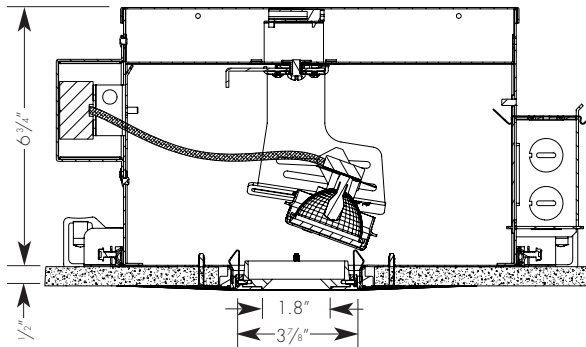
### ELECTRICAL

Transformer	Lamping 50w	
	Input watts	Amps
Electronic 120v	50	.42

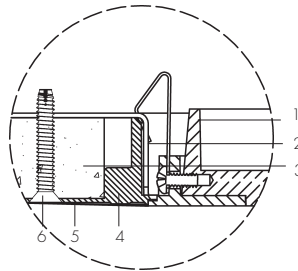
MR16 Bi-Pin base, 50w max.

**Electronic transformer compatible w/dimming systems that control electronic transformers**

Amerlux reserves the right to change details that do not affect overall function and performance.



Ceiling cut out dimension: 4 1/16" dia.



1. Reflector Trim
2. Fixture Housing Aperture Plate
3. Ceiling 5/8" (1" Max.)
4. Cast Aluminum Plaster Frame
5. Plaster Skim Coat (By Others)
6. 6-32 Type F Thread Cutting Screw



### ORDERING INFORMATION:

HOUSING			REFLECTOR		ACCESSORIES
Model #	Lamp Type	Voltage	Model #	Aperture Finish	Ordered Separately
E2.9RICATTL	MR16 (50w max)	120	E2.9RPATL	Faceplate with black baffle MW - matte white	HEX16 - hexcell louver SPR16 - linear spread lens (5"x55")

Complete Unit Specification: E2.9RICATTL-MR16-120/E2.9RPATL-MW

Housing Only: E2.9RICATTL-MR16-120

Reflector Only: E2.9RPATL-MW

Cat #: