

EVOKE 2.9" INSULATED CEILING

SQUARE ADJUSTABLE TRIMLESS

E2.9SICATTL/
E2.9SATL
MR16



APPLICATION:

Residential accent and general lighting

HOUSING CONSTRUCTION:

0.050 aluminum and 20 ga. steel housing
Powder coat matte black
Formed aperture plate with 1/2" lip
Cast aluminum plaster ring with perforated flange
Adjustable mounting bars for (wood) joist construction
Thermally protected
GX5.3 Bi-Pin base

REFLECTOR CONSTRUCTION:

Die-cast aluminum seamless self-flanged reflector trim
Painted finishes include matte white and optical matte black
Spring steel mounting clips

MOUNTING:

For use in sheet rock ceilings
Max. ceiling thickness - 1"

LABELING:

cUL listed
Damp location
No through branch wiring for IC at 50w
Complies with Air Leakage requirements as stated in the Model Energy Code and Washington State Energy Code

LAMPING:

MR16 halogen, 50w max., 12v.

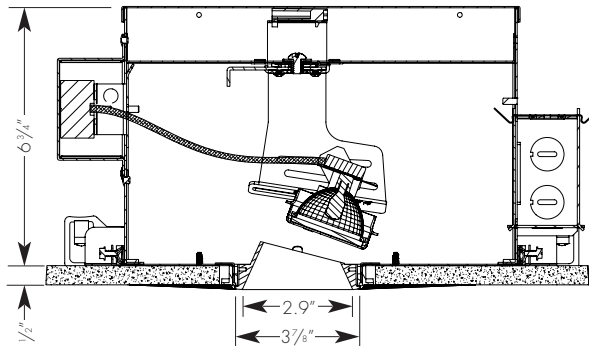
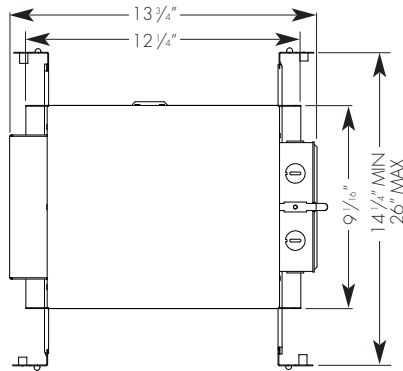
OPTICS:

Cam adjustment mechanism provides lockable 0-40° tilt; 360°+ rotation
Spun aluminum lamp ring, snaps in/out for re-lamping, accepts up to two accessories
Silk screened fixture positions provide exact setting for downlight, adjustable or wall wash reflector trims
Solite lens (standard)

PROJECT:

TYPE:

ECOTECTURAL
Architectural lighting for sustainable design.



Ceiling cut out dimension: 4 1/16" sq.

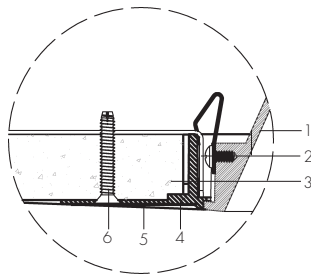
ELECTRICAL

Transformer	Lamping 50w	
	Input volts	Amps
Electronic 120v	50	.42

MR16 Bi-Pin base, 50w max.

Electronic transformer compatible w/dimming systems that control electronic transformers

Amerlux reserves the right to change details that do not affect overall function and performance.



1. Reflector Trim
2. Fixture Housing Aperture Plate
3. Ceiling 5/8" (1" Max.)
4. Cast Aluminum Plaster Frame
5. Plaster Skim Coat (By Others)
6. 6-32 Type F Thread Cutting Screw



ORDERING INFORMATION:

HOUSING			REFLECTOR		ACCESSORIES
Model #	Lamp Type	Voltage	Model #	Aperture Finish	Ordered Separately
E2.9SICATTL	MR16 (50w max)	120	E2.9SATL	Reflector MB - matte black MW - matte white	HEX16 - hexcell louver SPR16 - linear spread lens (5"x55")

Complete Unit Specification: E2.9SICATTL-MR16-120/E2.9SATL-MW
Housing Only: E2.9SICATTL-MR16-120
Reflector Only: E2.9SATL-MW

Cat #:

EVOKE 2.9" INSULATED CEILING

SQUARE ADJUSTABLE TRIMLESS

E2.9SICATTL/
E2.9SATL
MR16



TYPE :

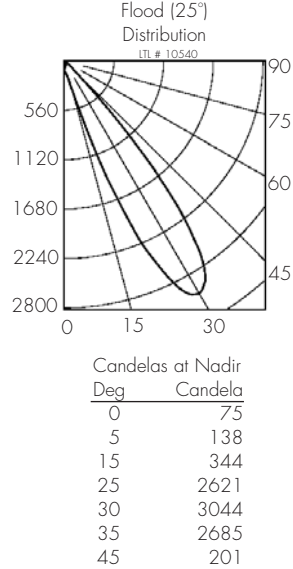
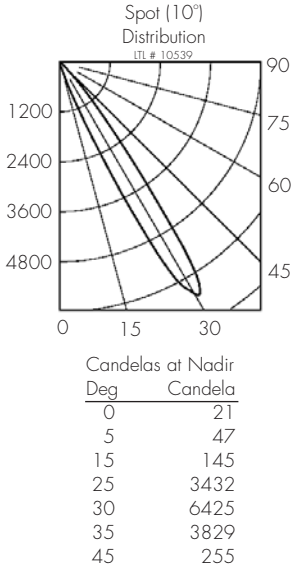
ecotECTURAL
Architectural lighting for sustainable design.



FIXTURE DATA:

Complete photometric data (.ies format) available upon request.

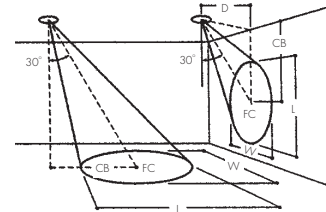
50W MR16



APPLICATION DATA:

Notes and Definitions:

Beam spread is to 50% center beam candlepower (CBCP).
 D=Distance to floor or wall.
 FC=Footcandles on floor or wall at center beam aiming location.
 L=Effective Visual Beam length in feet (50% of maximum footcandle level).
 W=Effective Visual Beam width in feet (50% of maximum footcandle level).
 CB=Distance across or down to center beam location.



30° Aiming Angle
Horizontal
Footcandles



30° Aiming Angle
Vertical
Footcandles

	30° Aiming Angle Horizontal Footcandles					30° Aiming Angle Vertical Footcandles				
	D	FC	L	W	CB	D	FC	L	W	CB
SPOT (10°)	5.0'	164	1.3	1.2	3.0	3.0'	98	2.2	1.3	5.0
	7.5'	72	2.1	1.7	4.0	4.0'	54	2.8	1.5	6.0
	10.0'	41	2.6	2.5	6.0	5.0'	37	3.4	2.0	8.0
	12.5'	27	3.2	3.0	7.0	6.0'	25	4.3	2.5	10.0
FLOOD (25°)	5.0'	76	2.4	1.5	3.0	3.0'	55	2.6	1.3	4.0
	7.5'	36	3.2	2.2	4.0	4.0'	30	3.7	1.8	6.0
	10.0'	20	4.2	2.8	5.0	5.0'	20	4.4	2.2	7.0
	12.5'	13	5.3	3.7	7.0	6.0'	14	5.4	2.7	8.0