

EVOKE 2.9" INSULATED CEILING

SQUARE PINHOLE ADJUSTABLE TRIMLESS

E2.9SICATTL/
E2.9SPATL
MR16

APPLICATION:

Residential accent and general lighting

HOUSING CONSTRUCTION:

0.050 aluminum and 20 ga. steel housing
Powder coat matte black
Formed aperture plate with 1/2" lip
Cast aluminum plaster ring with perforated flange
Adjustable mounting bars for (wood) joist construction
Thermally protected
GX5.3 Bi-Pin base

OPTICS:

Cam adjustment mechanism provides lockable 0-35° tilt; 360°+ rotation
Spun aluminum lamp holder with spring steel retaining clip, snaps in/out for easy relamping
Accepts up to 2 accessories
Silk screened fixture positions provide exact setting for downlight, adjustable or wall wash reflector trims
Solite lens (standard)

REFLECTOR CONSTRUCTION:

Die-cast aluminum faceplate painted matte white
Die-cast knife edge baffle painted matte black
Spring steel mounting clips

MOUNTING:

For use in sheet rock ceilings
Max. ceiling thickness - 1"

LABELING:

cUL listed
Damp location
No through branch wiring for IC at 50w
Complies with Air Leakage requirements as stated in the Model Energy Code and Washington State Energy Code

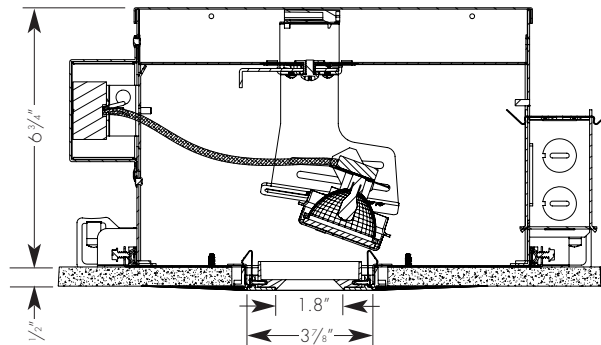
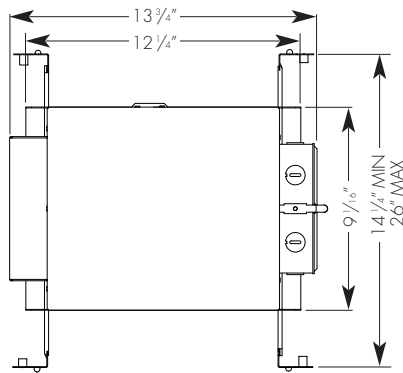
LAMPING:

MR16 halogen, 50w max., 12v.



PROJECT:

TYPE:



Ceiling cut out dimension: 4 1/16" sq.

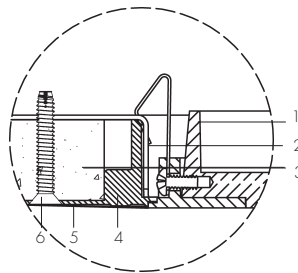
ELECTRICAL

Transformer	Lamping 50w	
	Input volts	Amps
Electronic 120v	50	.42

MR16 Bi-Pin base, 50w max.

Electronic transformer compatible w/dimming systems that control electronic transformers

Amerlux reserves the right to change details that do not affect overall function and performance.



1. Reflector Trim
2. Fixture Housing Aperture Plate
3. Ceiling 5/8" (1" Max.)
4. Cast Aluminum Plaster Frame
5. Plaster Skim Coat (By Others)
6. 6-32 Type F Thread Cutting Screw

ecotECTURAL
Architectural lighting for sustainable design.



ORDERING INFORMATION:

HOUSING			REFLECTOR		ACCESSORIES
Model #	Lamp Type	Voltage	Model #	Aperture Finish	Ordered Separately
E2.9SICATTL	MR16 (50w max)	120	E2.9SPATL	Faceplate with black baffle MWV - matte white	HEX16 - hexcell louver SPR16 - linear spread lens (5"x55")

Complete Unit Specification: E2.9SICATTL-MR16-120/E2.9SPATL-MWV

Housing Only: E2.9SICATTL-MR16-120

Reflector Only: E2.9SPATL-MWV

Cat #: