

EVOKE 2.9" SQUARE ADJUSTABLE INTERNATIONAL

I-E 2.9SA
HIT-PGJ5

APPLICATION:

Commercial and retail accent and display lighting

LAMP/BALLAST HOUSING CONSTRUCTION:

Formed steel spring clips
Die-cast aluminum mounting ring

OPTICS:

Die-cast aluminum adjustment mechanism provides lockable 0-35° x 0-35° tilt
Available in a variety of beam spreads featuring Amerlux optics specifically designed for the CDM-Tm Mini MasterColor® lamp, PGJ5 base
Available in custom tints to tune beam to provide incandescent-like hue
Glass lens

LAMPING:

CDM-Tm PGJ5 base, 20w and 35w

ELECTRICAL:

Electronic ballast
Terminal block for electrical connections
PGJ5 pulse rated socket

REFLECTOR CONSTRUCTION:

Die-cast aluminum seamless self-flanged reflector trim
Painted finishes include matte white and optical matte black with matte white flange
Spring steel mounting clips

MOUNTING:

Spring steel mounting clips allow installation from below
Max. ceiling thickness - 1"

LABELING:

CE CCC pending



PROJECT:

TYPE:

ecotECTURAL

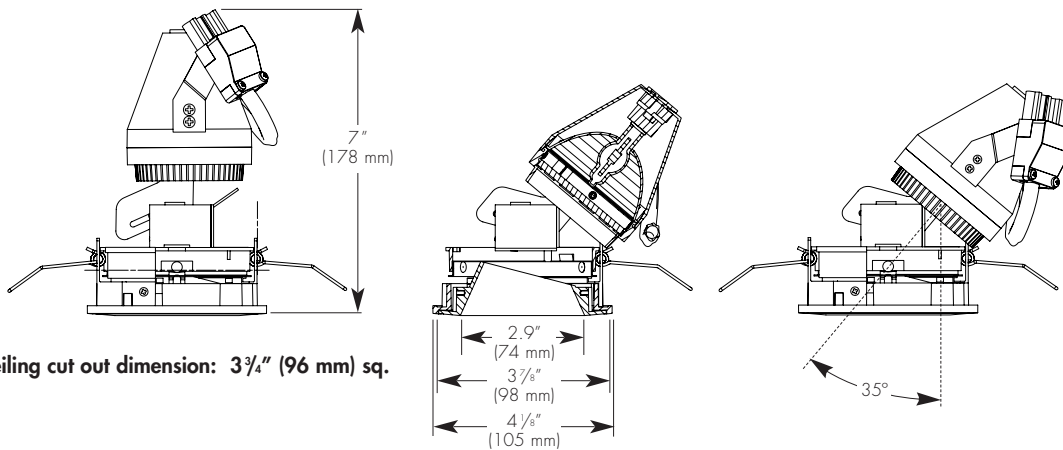
Architectural lighting for sustainable design.



96x96



0-35°x0-35°



Ceiling cut out dimension: 3 3/4" (96 mm) sq.

ELECTRICAL

Ballast	Lamping			
	1-20w		1-35w	
	Input watts	Amps*	Input watts	Amps*
Electronic 220v	26	.20	45	.20
240v	24	.16	45	.20

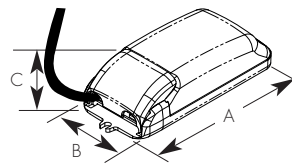
*Data is for open circuit current

1 CDM-Tm PGJ5 base metal halide, 20w and 35w

GEAR (STANDARD)

TO EXCLUDE GEAR - ORDER LG OPTION
(BALLAST/TRANSFORMER BY OTHERS)

	20w/35w
A	7 1/2" (190mm)
B	1 3/4" (43mm)
C	1 1/4" (32mm)



Amerlux reserves the right to change details that do not affect overall function and performance.

ORDERING INFORMATION:

Model #	Wattage	Lamp Type	Voltage	Beam Spread	Aperture Finish	Options/Accessories	Listing Code
I-E2.9SA	20 35	HIT-PGJ5 (CDM-Tm Mini MasterColor®)	220-240	CL - spot, 12° NF - narrow flood, 18° FL - flood, 25° WF - wide flood, 40° SL - linear spread, 5°x55°	<u>Reflector with White Painted Flange</u> MBW - matte black MWW - matte white SLW - silver	DB2690 - DB2690 optic reflector GOLD - ferric gold optic reflector HEX20 - hexcell louver SOL20 - beam softening lens To Exclude Gear LG - less gear	CE CCC

Example: IE2.9SA-20-HIT-PGJ5-220-240-NF-SDW-CE

Cat #:

EVOKE 2.9" SQUARE ADJUSTABLE INTERNATIONAL

I-E2.9SA
HIT-PGJ5



TYPE :

ecotECTURAL
Architectural lighting for sustainable design.

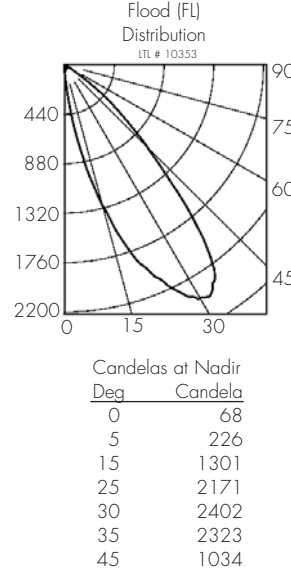
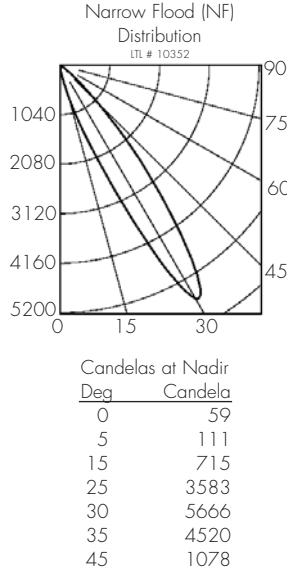
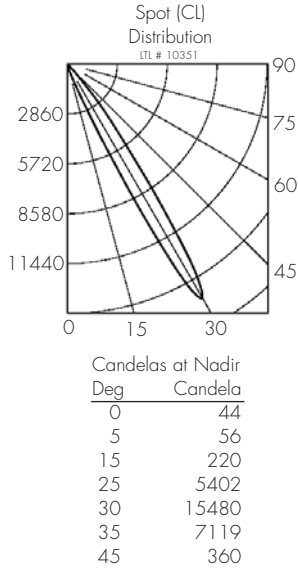


FIXTURE DATA:

Test run with standard clear reflector. For gold, multiply by 0.9; For sunrise, multiply by .87
For 39w data, multiply by 1.8

Complete photometric data (.ies format) available upon request.

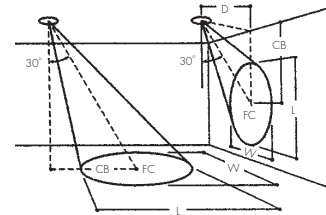
20W CDM-Tm MH



APPLICATION DATA:

Notes and Definitions:

Beam spread is to 50% center beam candlepower (CBCP).
D=Distance to floor or wall.
FC=Footcandles on floor or wall at center beam aiming location.
L=Effective Visual Beam length in feet (50% of maximum footcandle level).
W=Effective Visual Beam width in feet (50% of maximum footcandle level).
CB=Distance across or down to center beam location.



30° Aiming Angle
Horizontal
Footcandles



30° Aiming Angle
Vertical
Footcandles

	30° Aiming Angle Horizontal Footcandles					30° Aiming Angle Vertical Footcandles				
	D	FC	L	W	CB	D	FC	L	W	CB
SPOT	5.0'	373	1.2	1.2	3.0	3.0'	224	1.9	1.2	5.0
	7.5'	164	1.8	1.8	4.0	4.0'	117	2.7	1.6	7.0
	10.0'	93	2.2	2.4	6.0	5.0'	79	3.2	1.9	8.0
	12.5'	65	2.6	2.9	7.0	6.0'	56	3.8	2.4	10.0
NARROW FLOOD	5.0'	140	1.9	1.5	3.0	3.0'	90	2.9	1.4	4.0
	7.5'	62	2.8	2.1	4.0	4.0'	53	3.8	1.8	6.0
	10.0'	35	3.7	2.9	6.0	5.0'	34	4.7	2.3	7.0
	12.5'	23	4.5	3.5	7.0	6.0'	24	5.6	2.8	9.0
FLOOD	5.0'	63	3.3	2.6	2.0	3.0'	52	3.2	2.1	4.0
	7.5'	29	4.7	4.9	4.0	4.0'	29	4.3	2.8	5.0
	10.0'	16	6.3	5.3	5.0	5.0'	19	5.5	3.5	6.0
	12.5'	10	7.9	6.7	6.0	6.0'	13	6.5	4.3	8.0