

EVOKE 2.9" SQUARE ADJUSTABLE INTERNATIONAL

I-E2.9SA
MR16-GX5.3

APPLICATION:

Commercial and retail accent and display lighting

LAMP/BALLAST HOUSING CONSTRUCTION:

Formed steel spring clips
Die-cast aluminum mounting ring

OPTICS:

Die-cast aluminum adjustment mechanism provides lockable 0-35° x 0-35° tilt
Spun aluminum lamp ring, snaps in/out for re-lamping, accepts up to 2 accessories
Solite lens

ELECTRICAL:

75W electronic transformer, 220-240v primary
12v secondary
GX5.3 bi-pin socket
Terminal connector for easy wiring

REFLECTOR CONSTRUCTION:

Die-cast aluminum seamless self-flanged reflector trim
Painted finishes include matte white and optical matte black with matte white flange
Spring steel mounting clips

MOUNTING:

Spring steel mounting clips allow installation from below
Max. ceiling thickness - 1"

LABELING:

CE CCC pending

LAMPING:

MR16-GX5.3 halogen, 50w max., 12v.



PROJECT:

TYPE:

ecotECTURAL

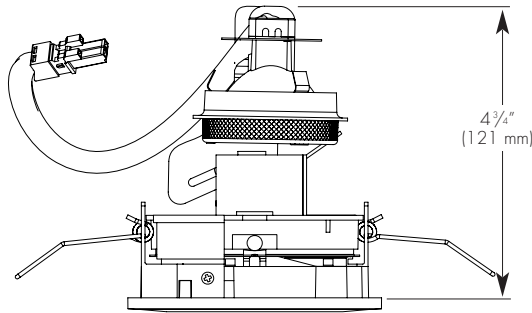
Architectural lighting for sustainable design.



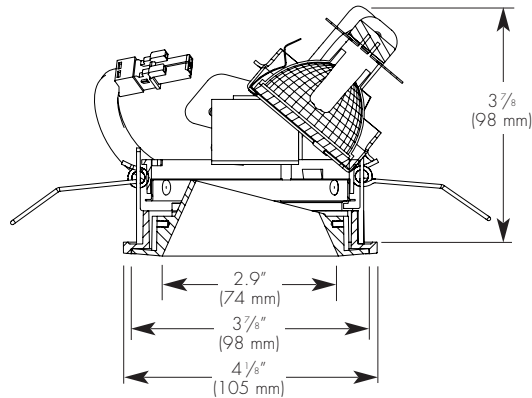
96x96



0-35°x0-35°



Ceiling cut out dimension: 3 3/4" (96 mm) sq.



ELECTRICAL

Ballast	Input volts	Lamping 1-50w	
		Input watts	Amps*
Electronic	220v	46.2	.21
	240v	50.4	.21

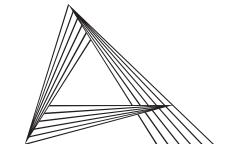
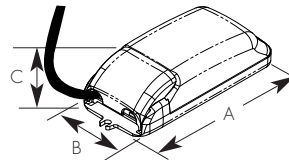
1 MR16, Gx5.3 bi-pin base, 50w max

Amerlux reserves the right to change details that do not affect overall function and performance.

GEAR INCLUDED

TO EXCLUDE GEAR -
ORDER LG OPTION AND CHANGE VOLTAGE TO 12
(BALLAST/TRANSFORMER SUPPLIED BY OTHERS)

	50w
A	4 5/16" (108mm)
B	2 1/64" (51mm)
C	1 7/16" (30mm)



AMERLUX
LIGHTING SOLUTIONS

ADAPT. ABILITY.™

ORDERING INFORMATION:

Model #	Lamp Type	Voltage	Aperture Finish	Options/Accessories	Listing Code
I-E2.9SA	MR16-GX5.3 (50w max)	220-240	Reflector with White Painted Flange MBW - matte black MWW - matte white SLVW - silver	HEX16 - hexcell louver SPR16 - linear spread lens (5"x55")	CE CCC

To Exclude Gear

LG - less gear
(change voltage to 12v)
Example: I-E2.9SA-MR16-GX5.3-12-SDW-LG-CE

Example: I-E2.9SA-MR16-GX5.3-220-240-SDW-CE

Cat #:

EVOKE 2.9" SQUARE ADJUSTABLE

INTERNATIONAL

I-E2.9SA
MR16-GX5.3



TYPE :

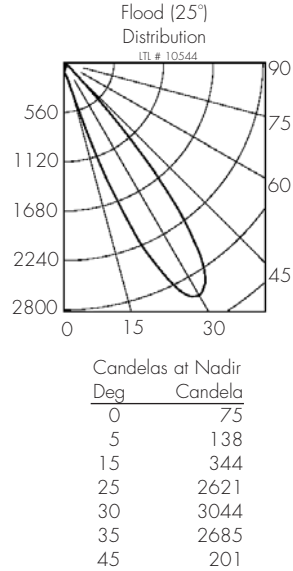
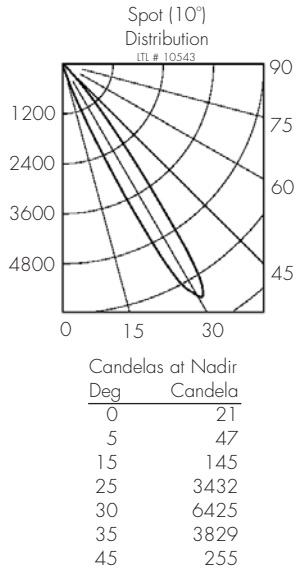
ecotECTURAL
Architectural lighting for sustainable design.



FIXTURE DATA:

Complete photometric data (.ies format) available upon request.

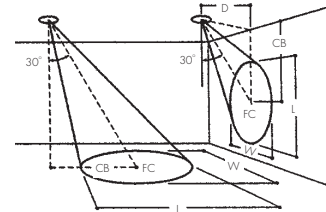
50W MR16



APPLICATION DATA:

Notes and Definitions:

Beam spread is to 50% center beam candlepower (CBCP).
 D=Distance to floor or wall.
 FC=Footcandles on floor or wall at center beam aiming location.
 L=Effective Visual Beam length in feet (50% of maximum footcandle level).
 W=Effective Visual Beam width in feet (50% of maximum footcandle level).
 CB=Distance across or down to center beam location.



30° Aiming Angle
Horizontal
Footcandles



30° Aiming Angle
Vertical
Footcandles

	30° Aiming Angle Horizontal Footcandles					30° Aiming Angle Vertical Footcandles				
	D	FC	L	W	CB	D	FC	L	W	CB
SPOT (10°)	5.0'	164	1.3	1.2	3.0	3.0'	98	2.2	1.3	5.0
	7.5'	72	2.1	1.7	4.0	4.0'	54	2.8	1.5	6.0
	10.0'	41	2.6	2.5	6.0	5.0'	37	3.4	2.0	8.0
	12.5'	27	3.2	3.0	7.0	6.0'	25	4.3	2.5	10.0
FLOOD (25°)	5.0'	76	2.4	1.5	3.0	3.0'	55	2.6	1.3	4.0
	7.5'	36	3.2	2.2	4.0	4.0'	30	3.7	1.8	6.0
	10.0'	20	4.2	2.8	5.0	5.0'	20	4.4	2.2	7.0
	12.5'	13	5.3	3.7	7.0	6.0'	14	5.4	2.7	8.0