

LINEA 1.9" DIRECT/INDIRECT LINEAR FLUORESCENT

LIN-DI
T5/T5HO

APPLICATION:

Commercial and retail direct/indirect ambient lighting

CONSTRUCTION:

One piece extruded aluminum housing
Internal components are die-formed galvanized and cold-rolled steel
Housing lengths are 4' or 8' nominal
Die-cast aluminum end caps
Steel blanking cover plate to eliminate socket shadows
Powder coat paint, available in over 200 finishes

OPTICS:

T5 or T5 high output fluorescent lamps
Die-formed high reflectance white enamel reflector
Lens: Snap-in white acrylic extruded lens
Louvers: Snap-in aluminum louver, choice of:
- Semi-specular formed parabolic, 5/8" high "V" shaped blades, 1-1/2" o.c.
- Straight blade, 1/2" high, 1/2" o.c.
Painted high reflectance white or silver

LABELING:

cUL listed

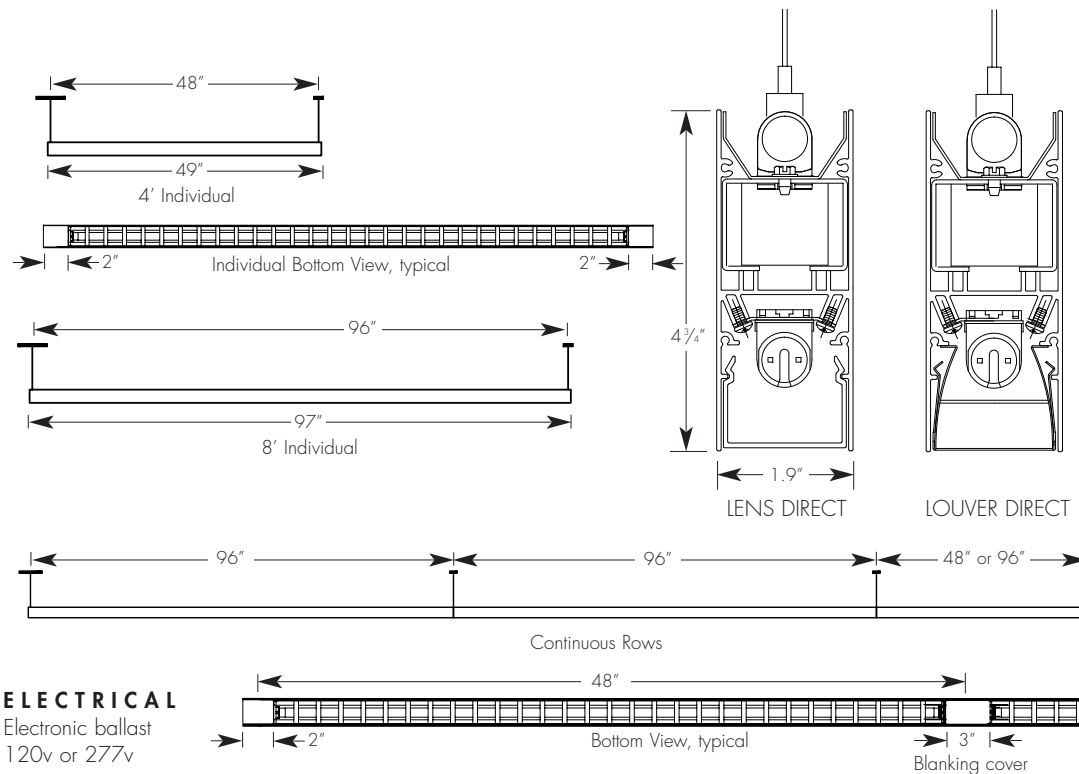
MOUNTING:

Aircraft cable suspension, spaced at 48" or 96"
Fixtures may be continuously row-mounted



PROJECT :

TYPE :



ELECTRICAL

Electronic ballast
120v or 277v

Amerlux reserves the right to change details that do not affect overall function and performance.

ORDERING INFORMATION:

Model #	Light Dist./Shielding*	Mounting*	# Lamps	Wattage	Lamp Type	Finish	Length	Voltage	Configuration	Options
LIN-DI	OU-LD - open indirect, lens direct	ASW10	2	28 54	T5 T5HO	WT - white textured - (other RAL)	4 (nominal) 8 (nominal)	120 277	IND - individual BOR - beginning of run MOR - middle of run EOR - end of run	DIM - dimming ballast EM - emergency battery packet (low profile emergency pack only)
	OU-PBL(SS) - open indirect, parabolic semi-specular louver direct						- other, consult factory			
	OU-SLDW - open indirect, straight blade louver direct, painted white									
	OU-SLDS - open indirect, straight blade louver direct, painted silver									

Example: LIN-DI-OU-LD-ASW10-2-54-T5HO-WT-4-120-IND

Cat #:



LINEA 1.9" DIRECT/INDIRECT LINEAR FLUORESCENT

LIN-DI
T5/T5HO



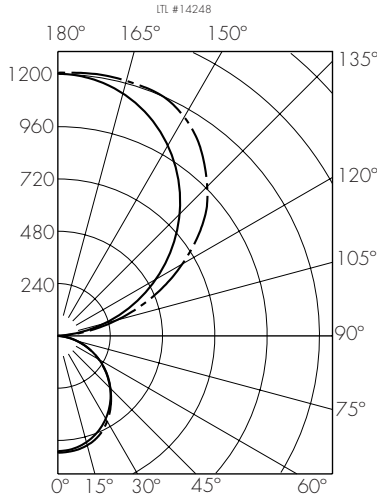
TYPE :



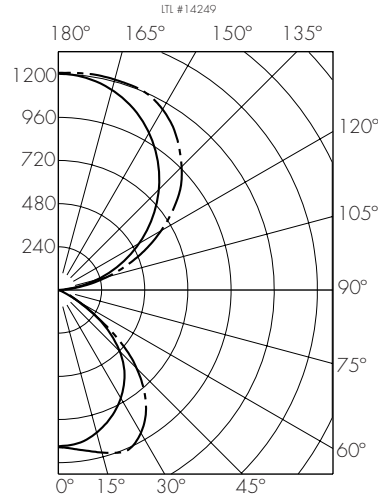
FIXTURE DATA:

Complete photometric data (.ies format) available upon request.

LINEA 2-54W T5 HIGH OUTPUT FLUORESCENT
Lamp: Two F54T5/HO Lamp Lumens: 4400 each
Mounting: Pendant Direct/Indirect



Linea Lens Direct



Linea Louver Direct

ZONAL LUMEN SCUMMARY

Zone	Lumens	%Lamp	%Fixt
0-30	415	4.7	7.8
0-40	676	7.7	12.7
0-60	1179	13.4	22.2
0-90	1472	16.7	27.7
90-120	863	9.8	16.2
90-130	1517	17.2	28.5
90-150	2873	32.6	54.0
90-180	3849	43.7	72.3
0-180	5321	60.5	100.0

ZONAL LUMEN SCUMMARY

Zone	Lumens	%Lamp	%Fixt
0-30	731	8.3	12.5
0-40	1206	13.7	20.7
0-60	1892	21.5	32.5
0-90	1981	22.5	34.0
90-120	863	9.8	14.8
90-130	1517	17.2	26.0
90-150	2873	32.6	49.3
90-180	3849	43.7	66.0
0-180	5829	66.2	100.0

Total Luminaire Efficiency = 60.5%

COEFFICIENTS OF UTILIZATION

RC	80			
	70	50	30	10
RW				
0	62	62	62	62
1	56	54	52	50
2	51	47	44	41
3	47	41	37	34
4	43	37	32	29
5	39	32	28	24
6	36	29	24	21
7	33	26	21	18
8	30	23	19	16
9	28	21	17	14
10	26	19	15	12

Total Luminaire Efficiency = 66.2%

COEFFICIENTS OF UTILIZATION

RC	80			
	70	50	30	10
RW				
0	62	62	62	62
1	56	54	52	50
2	51	47	44	41
3	47	41	37	34
4	43	37	32	29
5	39	32	28	24
6	36	29	24	21
7	33	26	21	18
8	30	23	19	16
9	28	21	17	14
10	26	19	15	12