

# EVOKE 2.9" LED ROUND DOWNLIGHT TRIMLESS

E2.9RDSTL  
LED

## APPLICATION:

Commercial and retail ambient and task lighting

## HOUSING CONSTRUCTION:

20 ga. steel painted matte black  
Formed aperture plate with 5/8" lip  
Cast aluminum plaster frame w/perforated face  
Integral adjustable locking mounting bars  
Thermally protected  
Sliding mechanism allows for servicing of LED driver  
Extruded aluminum heat sink

## REFLECTOR CONSTRUCTION:

Spun aluminum self-flanged reflector  
Variety of anodized aperture finishes

## MOUNTING:

For use in T-grid or sheet rock ceilings  
Max. ceiling thickness is 1"

## LABELING:



Damp location

## OPTICS:

LED cluster  
Color Temp Options: 2950K - 3150K warm white  
CRI: 85  
Lumen output: 910  
Beam angle: 60° (s/mh = 1.0)  
Life: 50,000 hrs  
Lumen Maintenance: >70% of initial lumens @ 50,000 hrs

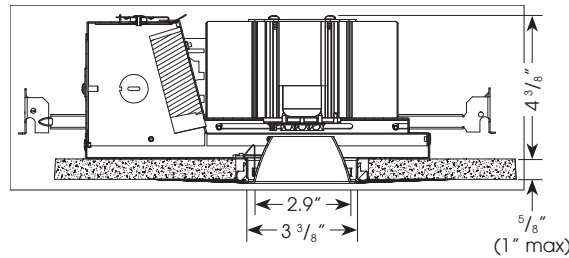
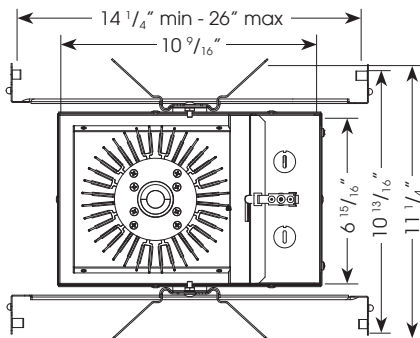
## ELECTRICAL:

Electronic constant current LED driver  
120v or 277v input  
Optional Lutron dimming driver, dims to 1% with Lutron EcoSystem  
**This product complies with IEEE C62.41 for surge endurance up to 4kV. Amerlux recommends using additional surge protection with this unit (supplied by others), surge damage is not covered by warranty.**



PROJECT:

TYPE:



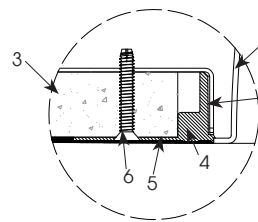
Ceiling cut out dimension: 4 1/16" dia.



## ELECTRICAL

Driver	Input Watts	Amps
Electronic 120v	25	.22
277v	25	.10

Class 2 constant current driver, 700 mA



1. Reflector Trim
2. Fixture Housing Aperture Plate
3. Ceiling 5/8" (1" Max.)
4. Cast Aluminum Plaster Frame
5. Plaster Skim Coat (By Others)
6. 6-32 Type F Thread Cutting Screw



Amerlux reserves the right to change details that do not affect overall function and performance.

## ORDERING INFORMATION:

HOUSING Model	Wattage	Lamp Type	Voltage	Color Temp	Options	REFLECTOR Model	Aperture Finish
E2.9RDTL	25	LED	120 277	3000	DIM - dimming	E2.9RDSTL	Reflector with clear flange (3/16" flange finish matches cone finish) SDC - semi-diffuse clear CLC - specular clear GDC - specular gold BKC - specular black

Complete Unit Specification: E2.9RDTL-25-LED-120-3000/E2.9RDSTL-SDW  
Housing Only: E2.9RDTL-25-LED-120-3000  
Reflector Only: E2.9RDSTL-SDW

Cat #:

# EVOKE 2.9" LED ROUND DOWNLIGHT TRIMLESS

E2.9RDSTL  
LED



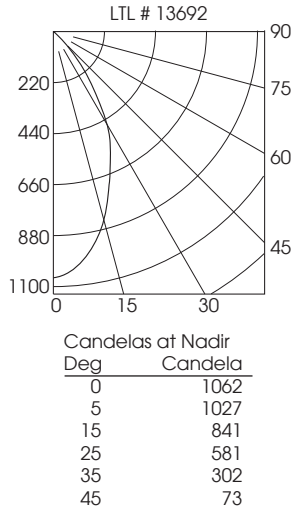
TYPE:



**FIXTURE DATA:**

Complete photometric data (ies format) available upon request.

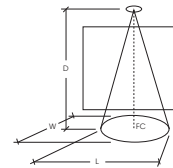
**25W LED CLUSTER**



**APPLICATION DATA:**

**Notes and Definitions:**

Beam spread is to 50% center beam candlepower (CBCP).  
 D=Distance to floor or wall.  
 FC=Footcandles on floor or wall at center beam aiming location.  
 L=Effective Visual Beam length in feet (50% of maximum footcandle level).  
 W=Effective Visual Beam width in feet (50% of maximum footcandle level).  
 CB=Distance across or down to center beam location.



0° Aiming Angle  
Horizontal  
Footcandles

D	FC	L	W
5.0'	39	5.0	5.0
7.5'	18	6.2	6.2
10.0'	10	8.2	8.2
12.5'	7	10.4	10.4

**MULTIPLE UNIT DATA**

On Center Spacing	Initial Footcandles	Room Size
6'	27	36' x 36'
8'	15	48' x 48'
10'	10	60' x 60'

Initial Footcandles = average illumination on floor  
 80/50/20 Reflectance  
 Ceiling Height = 10'