

EVOKE 2.9" LED SQUARE DOWNLIGHT TRIMLESS

E2.9SDTL
LED

APPLICATION:

Commercial and retail ambient lighting

HOUSING CONSTRUCTION:

20 ga. steel painted matte black
Formed aperture plate with 5/8" lip
Cast aluminum plaster frame w/perforated face
Integral adjustable locking mounting bars
Thermally protected
Sliding mechanism allows for servicing of LED driver
Extruded aluminum heat sink

REFLECTOR CONSTRUCTION:

Diecast aluminum seamless trim
Painted finishes include matte white and optical matte black
Spring steel mounting clips

MOUNTING:

For use in T-grid or sheet rock ceilings
Max. ceiling thickness is 1"

OPTICS:

LED cluster
Color Temp Options: 2950K - 3150K warm white
CRI: 85
Lumen output: 910
Beam angle: 60° (s/mh = 1.0)
Life: 50,000 hrs
Lumen Maintenance: >70% of initial lumens @ 50,000 hrs

ELECTRICAL:

Electronic constant current LED driver
120v or 277v input
Optional Lutron dimming driver, dims to 1% with Lutron EcoSystem
This product complies with IEEE C62.41 for surge endurance up to 4KV. Amerlux recommends using additional surge protection with this unit (supplied by others), surge damage is not covered by warranty.

LABELING:



Damp location

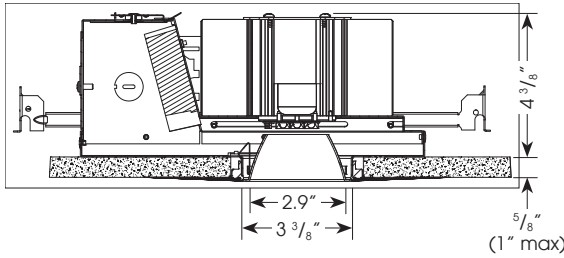
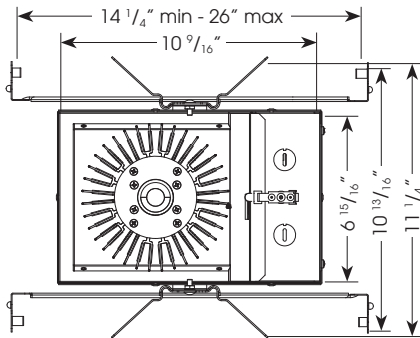


PROJECT:

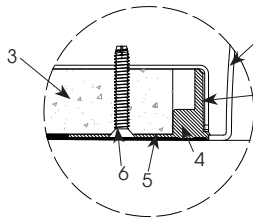
TYPE:



Electrostatic sensitive device, observe precautions for handling



Ceiling cut out dimension: 4 1/16" dia.



1. Reflector Trim
2. Fixture Housing Aperture Plate
3. Ceiling 5/8" (1" Max.)
4. Cast Aluminum Plaster Frame
5. Plaster Skim Coat (By Others)
6. 6-32 Type F Thread Cutting Screw

LED
5-YEAR WARRANTY

ELECTRICAL

Driver	Input Watts	Amps
Electronic 120v	25	.22
277v	25	.10

Class 2 constant current driver, 700 mA

ORDERING INFORMATION:

Amerlux reserves the right to change details that do not affect overall function and performance.

HOUSING Model	Wattage	Lamp Type	Voltage	Color Temp	Options	REFLECTOR Model	Aperture Finish
E2.9SDTL	25	LED	120 277	3000	DIM - dimming	E2.9SDTL	Reflector (with 3/16" flange) MB - matte black MW - matte white

Complete Unit Specification: E2.9SDTL-25-LED-120-3000/E2.9SDTL-MW
Housing Only: E2.9SDTL-25-LED-120-3000
Reflector Only: E2.9SDTL-MW

Cat #:

EVOKE 2.9" LED SQUARE DOWNLIGHT TRIMLESS

E2.9SDTL
LED



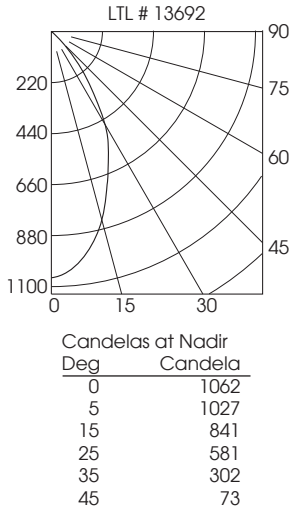
TYPE:



FIXTURE DATA:

Complete photometric data (ies format) available upon request.

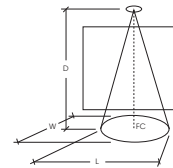
25W LED CLUSTER



APPLICATION DATA:

Notes and Definitions:

Beam spread is to 50% center beam candlepower (CBCP).
 D=Distance to floor or wall.
 FC=Footcandles on floor or wall at center beam aiming location.
 L=Effective Visual Beam length in feet (50% of maximum footcandle level).
 W=Effective Visual Beam width in feet (50% of maximum footcandle level).
 CB=Distance across or down to center beam location.



0° Aiming Angle
Horizontal
Footcandles

D	FC	L	W
5.0'	39	5.0	5.0
7.5'	18	6.2	6.2
10.0'	10	8.2	8.2
12.5'	7	10.4	10.4

MULTIPLE UNIT DATA

On Center Spacing	Initial Footcandles	Room Size
6'	27	36'x36'
8'	15	48'x48'
10'	10	60'x60'

Initial Footcandles = average illumination on floor
 80/50/20 Reflectance
 Ceiling Height = 10'