

GRÜV MINI EXTRUDED

2.5" RECESSED LINEAR FLUORESCENT, GYP BOARD

APPLICATIONS:

Retail and commercial ambient lighting in wall to ceiling applications

CONSTRUCTION:

Extruded aluminum housing
Internal components are die-formed cold-rolled steel
Powder coat high reflectance white finish
Nominal overall fixture lengths shown on next page

OPTICS:

1 or 2 T5/T5HO fluorescent lamps, staggered
Formed steel reflector with high reflectance white finish
Flush mount snap-in lens, 100% extruded acrylic with custom formulation for lamp image diffusion and maximum light transmission

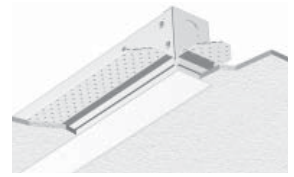
MOUNTING:

For use in sheet rock ceilings or walls only
Fixtures must be installed before finished ceiling or walls are installed

LABELING:

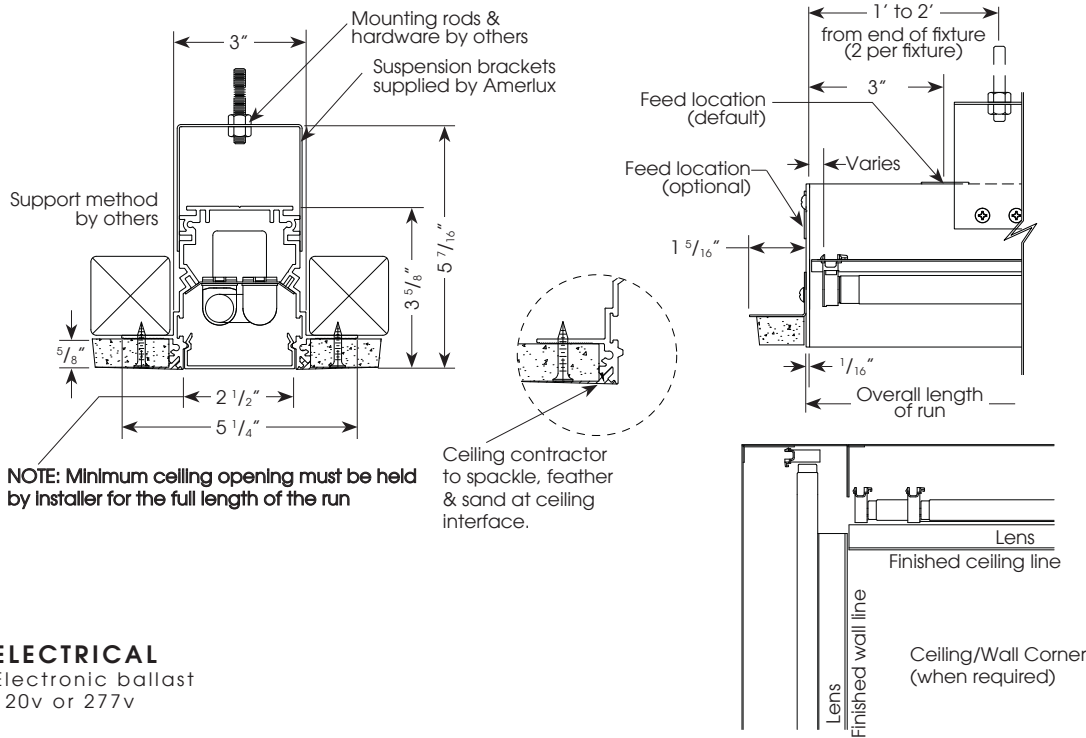


GRUVM-EX-GB
T5/T5HO



PROJECT:

TYPE:



ELECTRICAL

Electronic ballast
120v or 277v

ORDERING INFORMATION:

Model	# Lamps	Wattage	Lamp Type	Ballast	Length	Voltage	Mounting	Options/Accessories
GRUVM-EX-GB	1	28	T5	E - electronic	4 - 4'	120	For Straight Runs	Wall/Ceiling
	2	54	T5HO		8 - 8'			
					(other consult factory)		IND - individual BOR - beginning of run MOR - middle of run EOR - end of run For Ceiling/Wall Corner BORWC - beginning of run, wall corner EORWC - end of run, wall corner BORCC - beginning of run, ceiling corner EORCC - end of run, ceiling corner	DIM - dimming ballast EM - emergency battery pack

Example: GRUVM-EX-GB-2-28-T5-E-8-120-IND-W

Cat #:

Amerlux reserves the right to change details that do not affect overall function and performance.



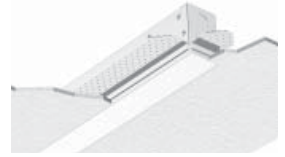
GRÜV MINI EXTRUDED

2.5" RECESSED LINEAR FLUORESCENT, GYP BOARD

GRUVM-EX-GB
T5/T5HO



TYPE:



NOMINAL RUN LENGTHS:

