

# CYLINDRIX COVE

CYL-COVE  
MR16

**APPLICATION:**

Retail and commercial architectural cove accent lighting

**MOUNTING:**

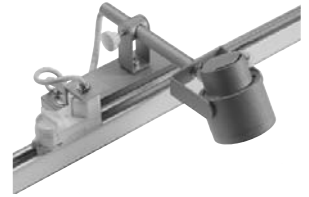
For use in architectural coves

**CONSTRUCTION:**

Die-cast optical head  
Extruded aluminum adjustment arm  
Formed steel ballast housing

**LABELING:**

cUL listed

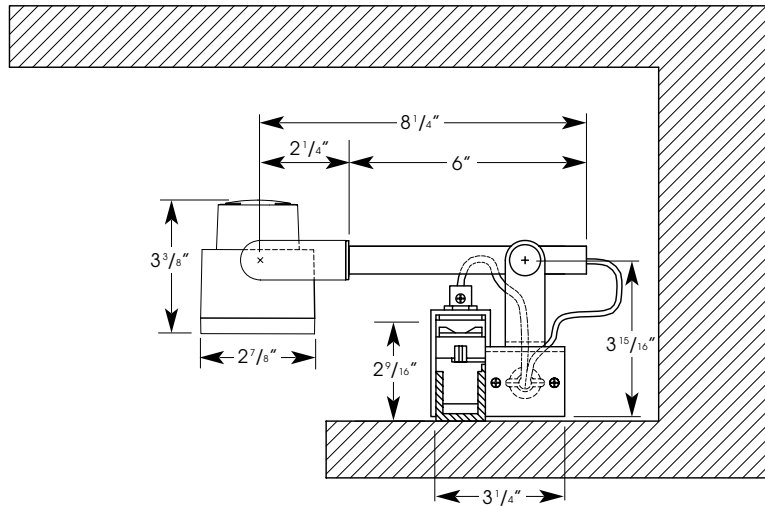
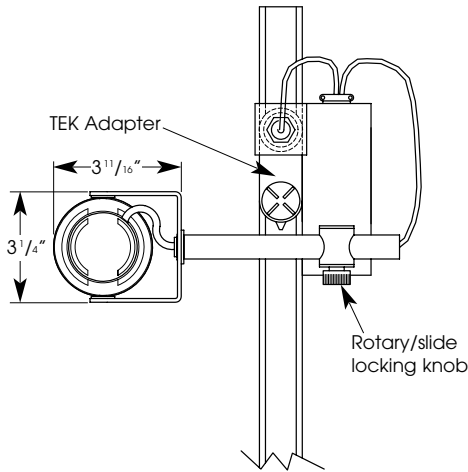


**OPTICS:**

45° x 45° tilt, 90° x 90° rotation, horizontal sliding capability  
Available in a variety of beam spreads featuring Amerlux optics specifically designed for the CDM-Tm Mini MasterColor® lamp  
Available in custom tints to tune beam to provide incandescent-like hue

PROJECT:

TYPE:



**ELECTRICAL**

Ballast	Voltage	Lamping	
		Input watts	Amps
Electronic	120v	50	.42
	277v	50	.18

MR16, GU5.3 bi-pin base, 50w max

**ORDERING INFORMATION:**

Amerlux reserves the right to change details that do not affect overall function and performance.

Model	Lamp Type	Ballast	Finish	Mounting	Voltage	Options/Accessories
CYL-COVE	MR16 (50w max)	E - electronic	WT - white texture BT - black texture ST - silver texture  _____ (other RAL)	TEK - Global 2cir/2neut, 120v HTEK - Global 2cir/2neut, 277v	120 277	HEX - hexcell louver (1/8" x 1/8") SN - snoot, specify length and finish, 3/4" standard

Example: CYL-COVE-50-MR16-E-WT-TEK-120

Cat #: